

RC 1:10 B74 TEAM KIT



1:10 Scale 4WD Electric Off Road
Competition Buggy Kit

#90026 RC10B74 Team Kit



1:10 Scale 4WD Electric Off Road Competition Buggy Kit Manual & Catalog

TEAM ASSOCIATED



Designed in California, USA

Introduction

Thank you for purchasing this Team Associated product. This assembly manual contains instructions and tips for building and maintaining your new vehicle. Please take a moment to read through the manual and familiarize yourself with the steps. We are continually changing and improving our designs; therefore, actual parts may appear slightly different than the illustrations. New parts will be noted on supplementary sheets located in the appropriate parts bags. Check each bag for these sheets before you start to build.

RC10B74 Team Kit Features

- Complete new chassis design to maximize performance on all track conditions
- Quick-change adjustable differential height with 7075-T6 aluminum bulkheads. Allows 4 independent front and rear diff heights
- CVA assemblies for center drive-line with aligned shafts for minimal torque loss and improved efficiency
- Easy access differentials for worry free maintenance and adjustment
- 2mm hard anodized 7075-T6 aluminum chassis provides improved flex characteristics and minimal mass
- Centrally located composite chassis braces with 2.5mm graphite supports allow symmetric chassis flex with adjustable stiffness
- New rear hub assembly with modular vertical ball stud camber link mount and axle height adjustment for precise roll center adjustments
- Ball bearing raced 7075-T6 aluminum steering rack and composite steering bellcranks with 2.5mm graphite input arm offers optimized Ackermann and adjustable steering rate
- New steering blocks with larger outer ball bearing and increased bearing spacing for improved durability
- 2.5mm graphite steering block arms
- Optimized suspension arm geometry with improved durability and stiffness
- New symmetric rear arm with improved geometry can be flipped to allow a "split" for rear shock mounting position
- Outer rear hinge captured with bolt head and lock nut for increased durability
- 7075-T6 aluminum arm mounts with optimized roll center positions use inserts for fine tuning a large range of anti-squat, kick-up, and toe adjustments
- 4mm graphite shock towers front and rear for improved stiffness and durability
- Updated 3-pad slipper assembly with lightweight/compact design allows use of center differential (#92144) without changing center bone length
- 7075-T6 aluminum motor mount and 7075-T6 aluminum center bulkhead have increased rigidity to maintain more accurate gear mesh
- 2.5mm graphite center bulkhead brace for improved stiffness and reduced mass
- V2 12mm "Big Bore" threaded aluminum shock with x-rings for low friction assembly
- New shock lengths front and rear with longer stroke allows increased droop and up-travel for more consistent jumping and landing
- Machined shock pistons for more precise fit and smoother operation
- V2 12mm shock springs for lower achievable ride height and more nimble feel
- Common front and rear anti-roll bars to minimize spare part count
- Anti-roll bar sets for both carpet/turf and dirt included
- New 2.5mm graphite battery strap with sliding support tabs for fine tuning battery position (accepts any R.O.A.R. approved 2S "short" packs)
- 7075-T6 aluminum 9 degree caster blocks
- "Floating" servo mount with 7075-T6 aluminum mount and 2.5mm graphite brace
- Factory Team ball bearing set with 26 precision ball bearings, now oiled instead of grease for more efficient drivetrain
- Aluminum clamping wheel hexes front and rear
- Lightweight clear body and clear wing included

Additional

Your new B74 Team Kit comes unassembled and requires the following items for completion (refer to catalog section for suggestions):

- R/C two channel surface frequency radio system
- AA-size batteries for transmitter (#302 alkaline)
- Electronic Speed Control, ESC (#27002, 27003, 27004, 27005)
- Steering servo (#27115, 27112, 27113)
- R/C electric motor
- Pinion gear (48P), size determined by type/turn or kV of motor
- Battery charger (a peak detection charger, or LiPo compatible charger)
- 2 cell LiPo battery pack (#27318, 27335, 27337)
- Polycarbonate specific spray paint

- Cyanoacrylate glue (CA)(#1597)
- Thread locking compound (#1596)
- Tires and Inserts, Fronts and Rears
- Wheels w/12mm Hex
Front Wheels #9690, #9691, #91572, #91573
Rear Wheels #9695, #9696, #91570, #91571

Other Helpful Items

- Silicone Shock Fluid (Refer to catalog for complete listings)
- FT Body Scissors (#1737)
- FT Hex/Nut Wrenches (#1519)
- FT Universal Tire Balancer (#1498)
- FT Dual Turnbuckle Wrench (#1114)
- FT Body Reamer (#1499)
- Needle Nose Pliers
- Calipers or a Precision Ruler
- Green Slime shock lube (#1105)
- Shock Pliers (#1675)
- FT Ballcup Wrench (#1579)
- Soldering Iron
- Wire Cutters
- Hobby Knife


















Associated Electrics, Inc.
26021 Commercentre Dr.
Lake Forest, CA 92630



Customer Service
Tel: 949.544.7500
Fax: 949.544.7501

:: Hardware - 1:1 Scale View








Button Head (bhcs)

	2x4mm (31510) Aluminum (8545)
	2.5x6mm (31520)
	2.5x8mm (31521)
	2.5x10mm (31522)
	3x4mm (91158)
	3x5mm (31530)
	3x6mm (31531) Aluminum (8550) Titanium (91580)
	3x8mm (31532) Aluminum (8552) Titanium (91581)
	3x10mm (25211) Aluminum (8554) Titanium (91582)
	3x12mm (89202) Titanium (91583)
	3x14mm (25187) Titanium (91584)
	3x16mm (89203) Titanium (91585)
	3x18mm (2308)
	3x20mm (25188) Titanium (91587)
	3x22mm (25189) Titanium (91588)
	3x24mm (89204) Titanium (91589)
	3x30mm (91478)

Cap Head (shcs)

	1.6 x 5mm (91611)
--	-------------------





Flat Head (fhcs)

	2x3mm (91743)
	3x8mm (25201) Aluminum (8553) Titanium (91592)
	3x10mm (25202) Aluminum (8555) Titanium (91593)
	3x12mm (25203) Aluminum (8556) Titanium (91594)
	3x14mm (89208) Aluminum (8567) Titanium (91595)
	3x16mm (25204) Titanium (91596)
	3x18mm (89209) Titanium (91597)

Set Screws

	3x2.5mm (31500)
	3x3mm (25225)
	3x10mm (4671)






Shims and Washers

	5.5x0.5mm (31381)
	5.5x1.0mm (31382)
	5.5x2.0mm (31383)
	3x8mm Washer (89218)








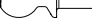





Diff Balls

	5/64 Diff Thrust Balls (6574)
	3/32 Carbide Diff Balls (6581)
	3/32 Ceramic Diff Balls (6584)








Ball Bearings

	4x7x2.5mm (31732)
	5x8x2.5mm (31400)
	5x10x4mm (91560)
	5x12x4 (91567)
	10x15x4 (91563)

Ballstuds

	Silver 5mm long (31283)
	Ti Nitride 5mm long (31291)
	Silver 8mm long (31284)
	Ti Nitride 8mm long (31292)
	HD 6mm (91047)
	Ti Nitride HD 6mm (91118)
	Ti HD 6mm (91751)
	HD 8mm (91048)
	Ti Nitride HD 8mm (91119)
	Ti HD 8mm (91752)
	HD 10mm (91049)
	Ti Nitride HD 10mm (91120)
	Ti HD 10mm (91753)

Nuts (lock/plain)

	M3 Nut (91477)
	M3 Alum. Locknut, Blue (31550)
	M3 Locknut, Black (25215)
	M3 Locknut w/Flange (25612)
	FT 3mm Locknuts, Blue(25392)
	M4 Locknuts: Serrated Steel (Silver)(91826)
	Flanged (Black) (91148)
	FT Aluminum (Blue) (31551)
	Serrated Aluminum (Black) (91738)

Notes:

:: Table of Contents

1.....	Cover	14.....	Front Steering Blocks Build Bag 8
2.....	Introduction	15.....	Rear Hub Build Bag 9
3.....	1:1 Hardware “Fold Out”	16.....	Turnbuckle Links Build Bag 10
4.....	Table of Contents	17.....	Center Bulkhead / Differential Build Bag 11
5.....	Chassis Build Bag 1	18.....	Shocks Build Bag 12
5.....	Arm Mounts Build Bag 2	19.....	Electronics / Body Build Bag 13
6.....	Gear Differentials Build Bag 3	22.....	Tuning Tips
7.....	Front / Rear Gearbox Build Bag 4	24.....	Catalog
8.....	Bulkhead / Shock Tower Build Bag 5	32.....	Setup Sheet “Kit Setup”
10.....	Anti-Roll Bars Build Bag 6	33.....	Setup Sheet “Blank”
12.....	Steering Rack / Body Posts Build Bag 7	34.....	Back Cover

:: Notes



This symbol indicates a special note or instruction in the manual.



This symbol indicates a Racers Tip.



There is a 1:1 hardware foldout page in the front of the manual. To check the size of a part, line up your hardware with the correct drawing until you find the exact size. Each part in the foldout has a number assigned to it for ordering replacement parts.

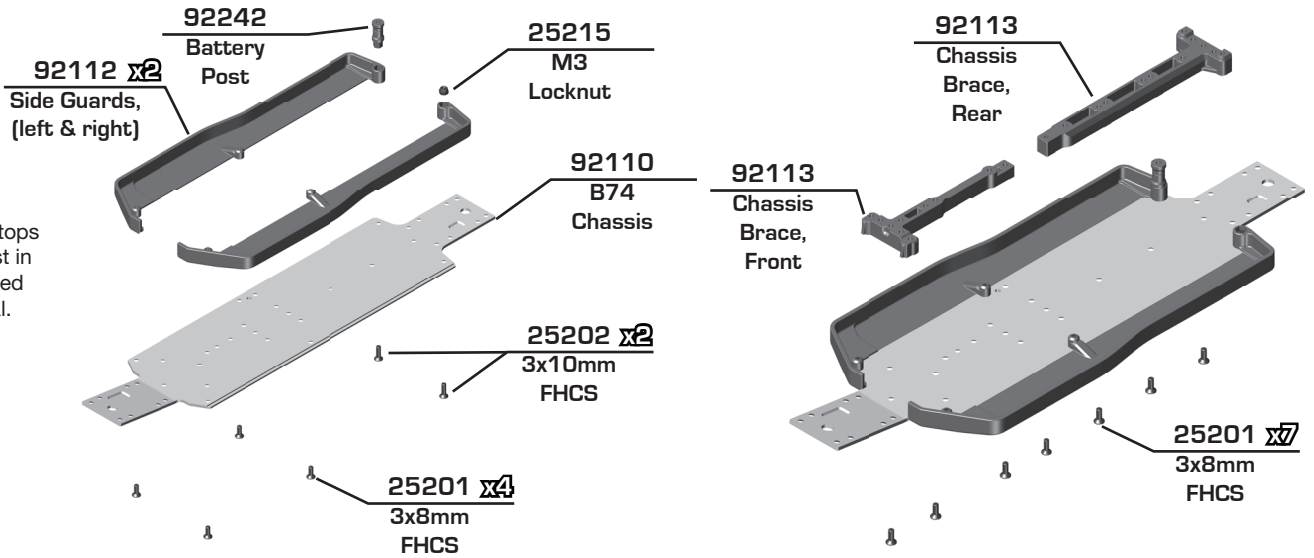
Associated Electrics, Inc.
26021 Commercentre Dr.
Lake Forest, CA 92630



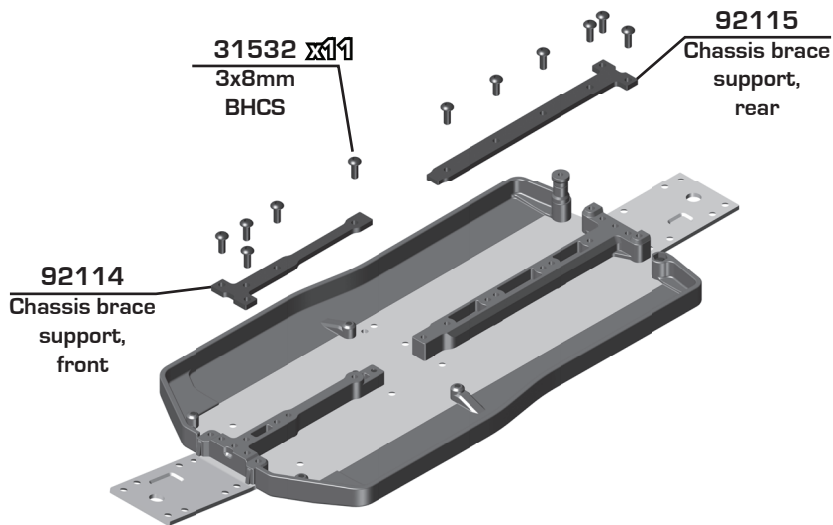
Customer Service
Tel: 949.544.7500
Fax: 949.544.7501

:: Bag 1 - Step 1

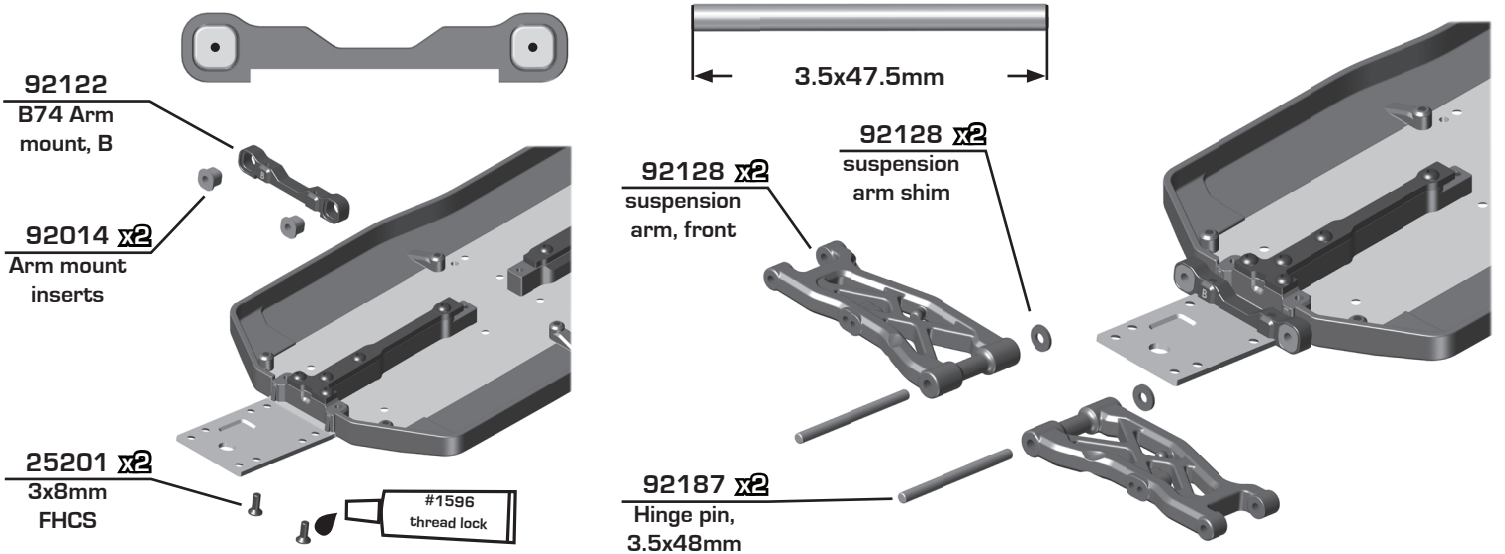
!
 Note, the 2 battery stops and 2nd battery post in bag 1 will be installed later in the manual.



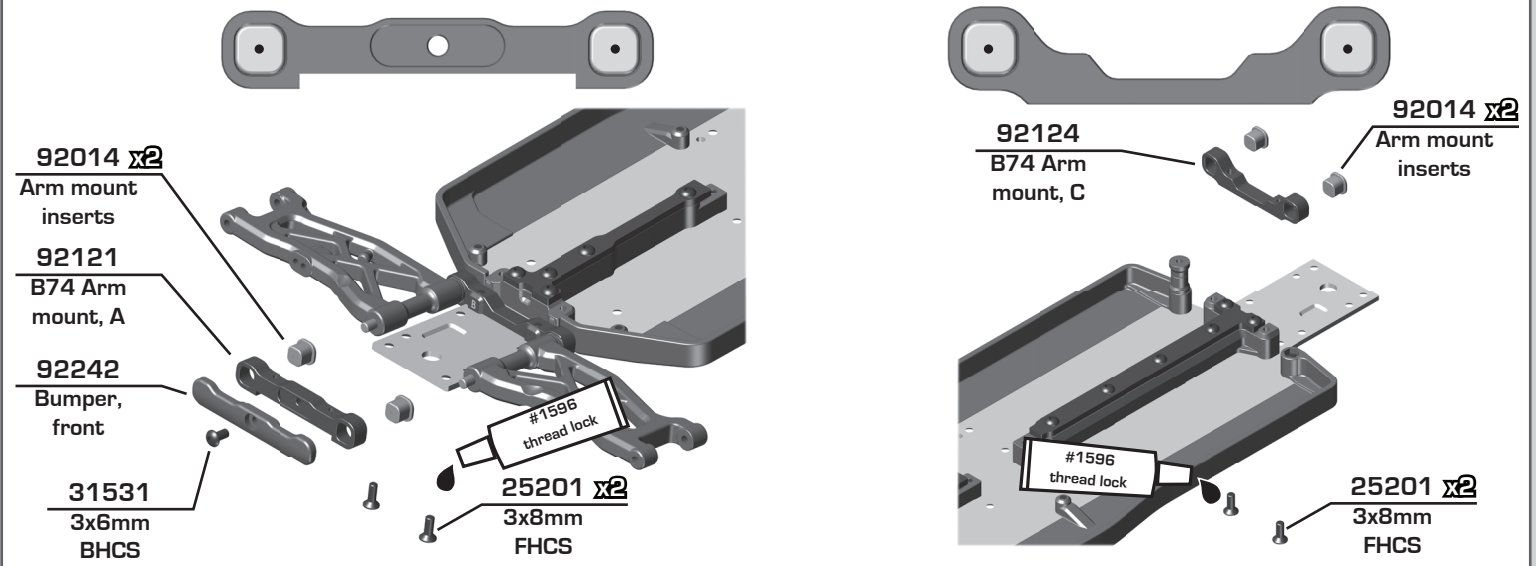
:: Bag 1 - Step 2



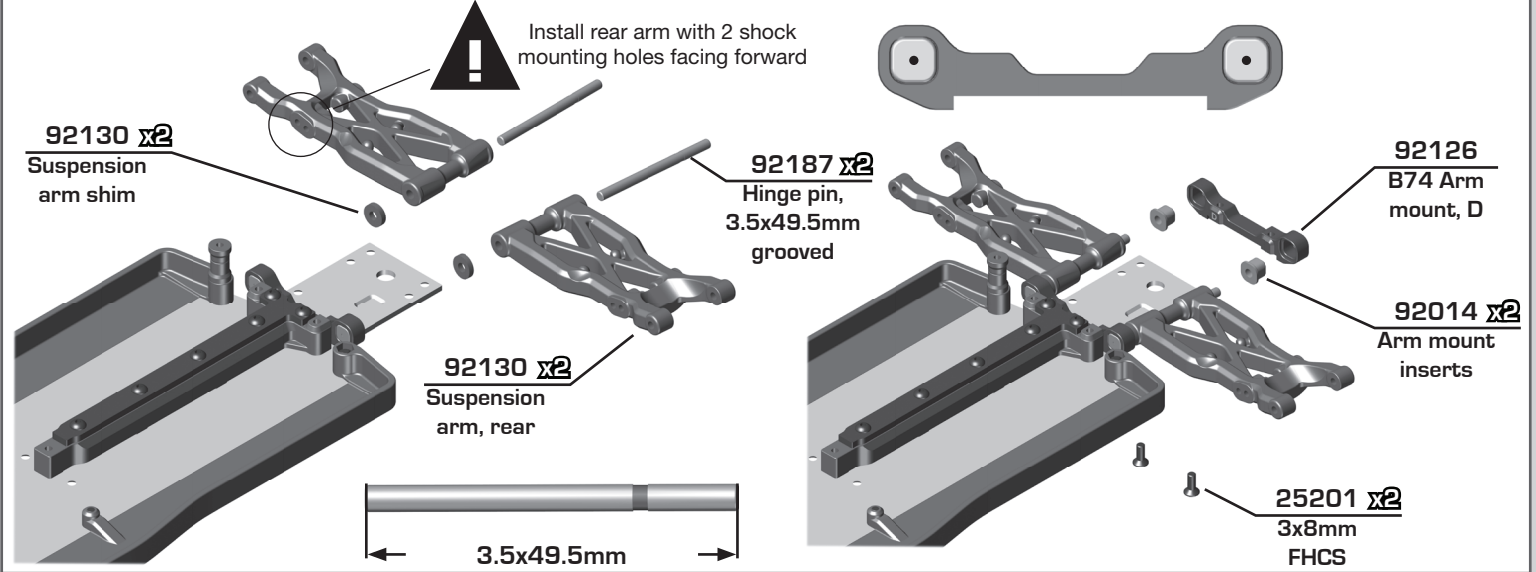
:: Bag 2 - Step 1



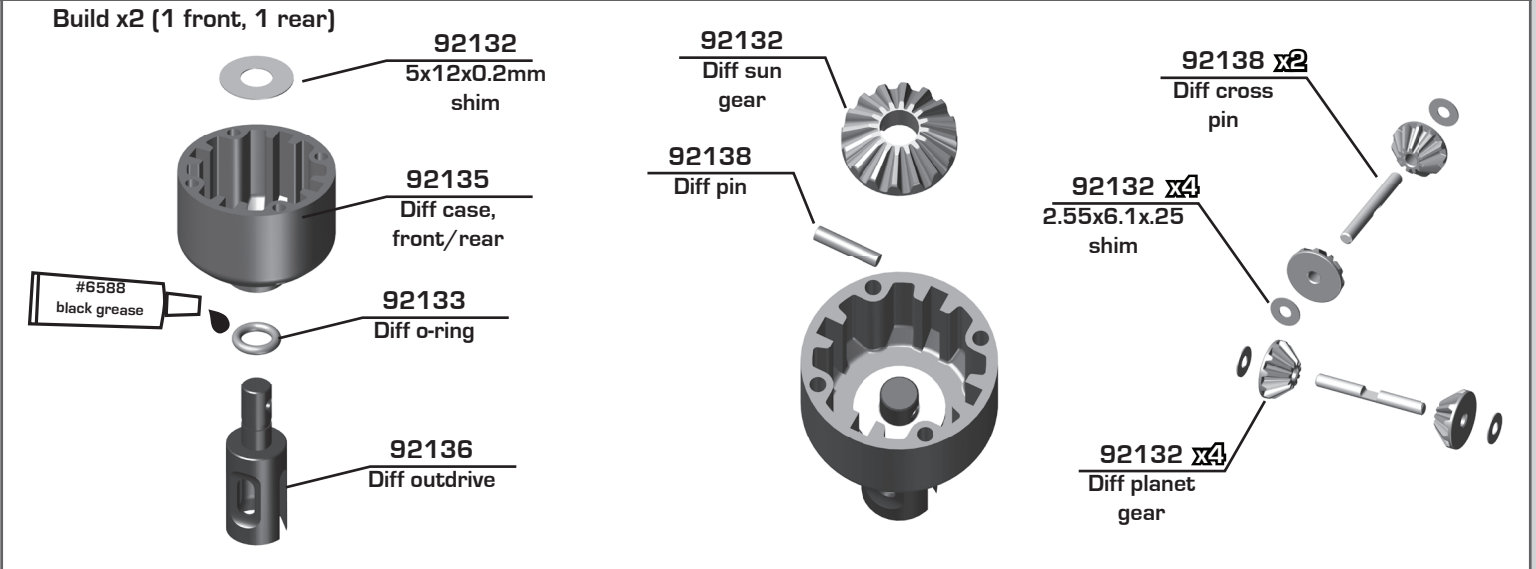
:: Bag 2 - Step 2



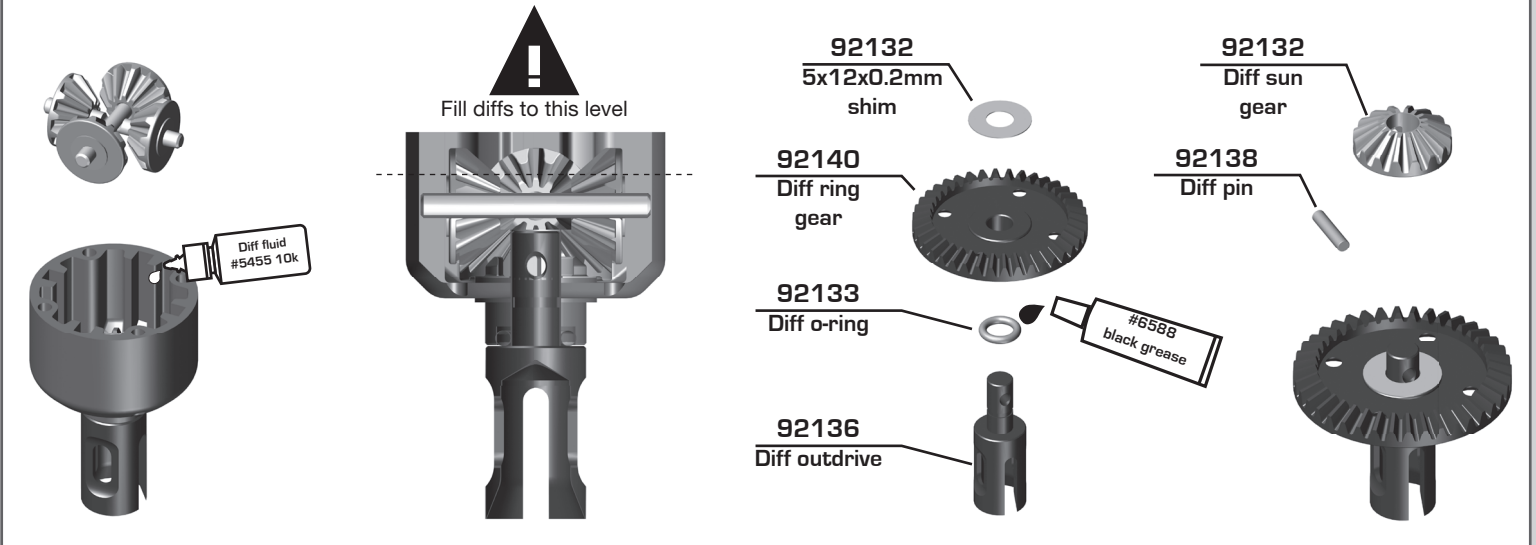
:: Bag 2 - Step 3



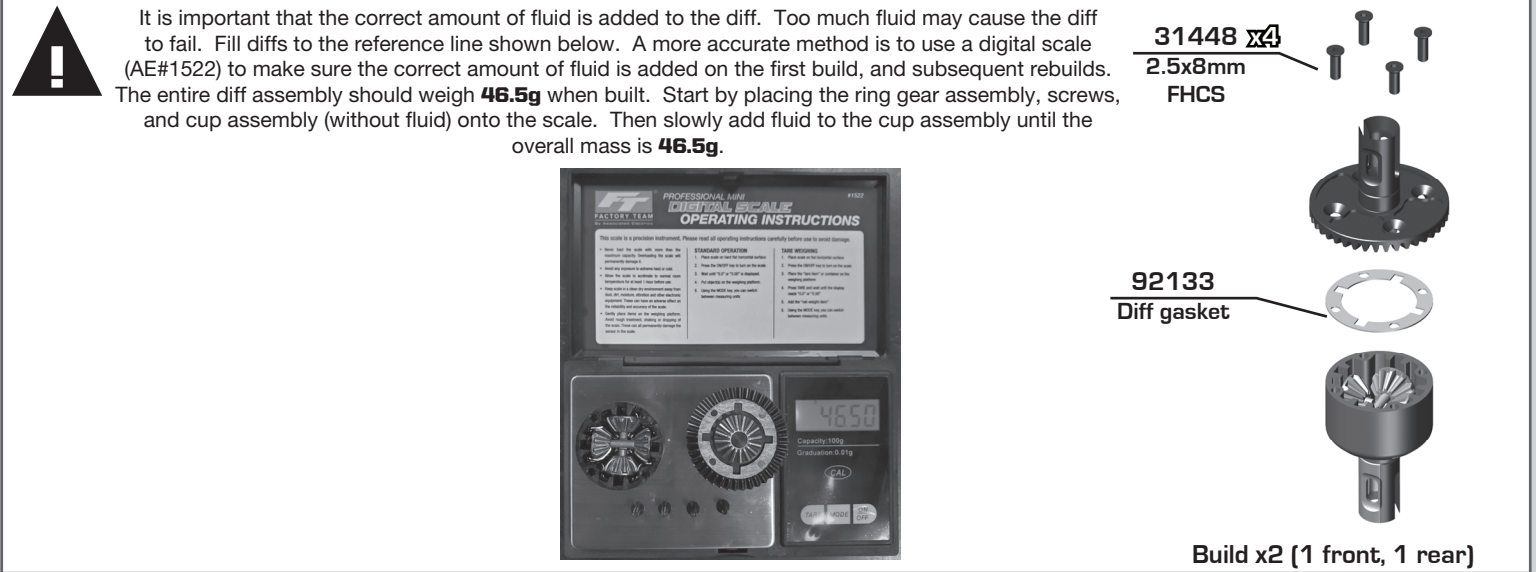
:: Bag 3 - Step 1



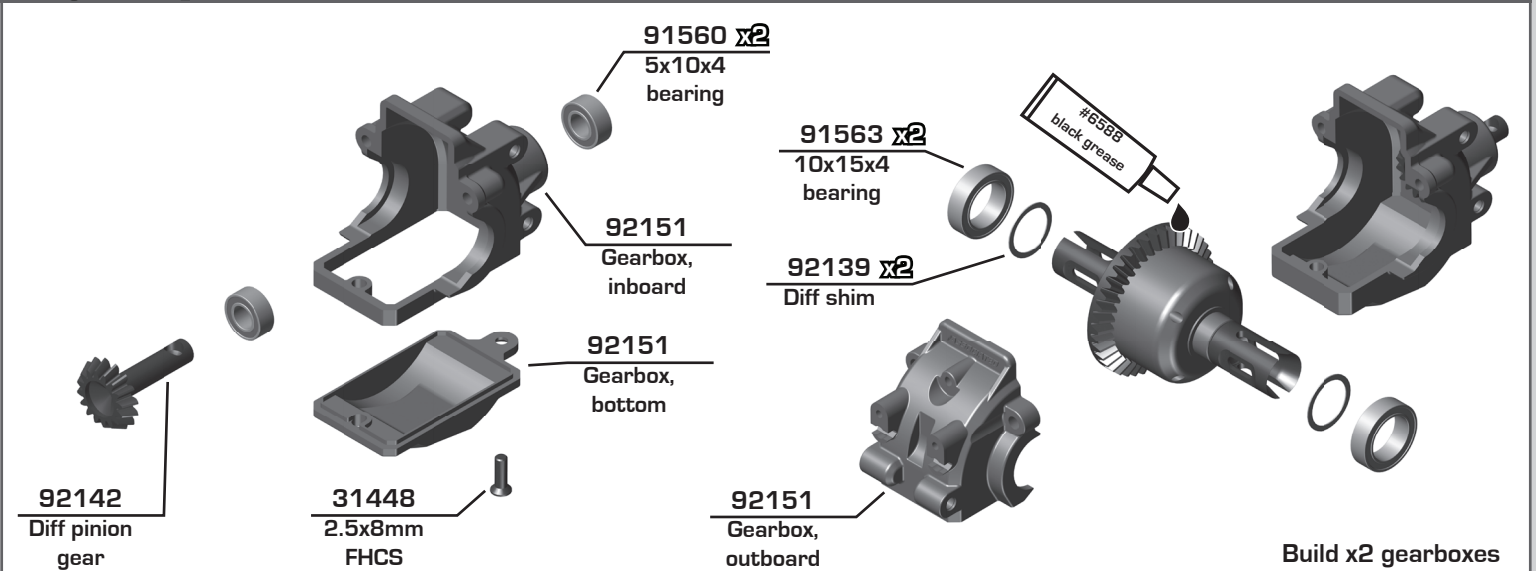
:: Bag 3 - Step 2



:: Bag 3 - Step 3

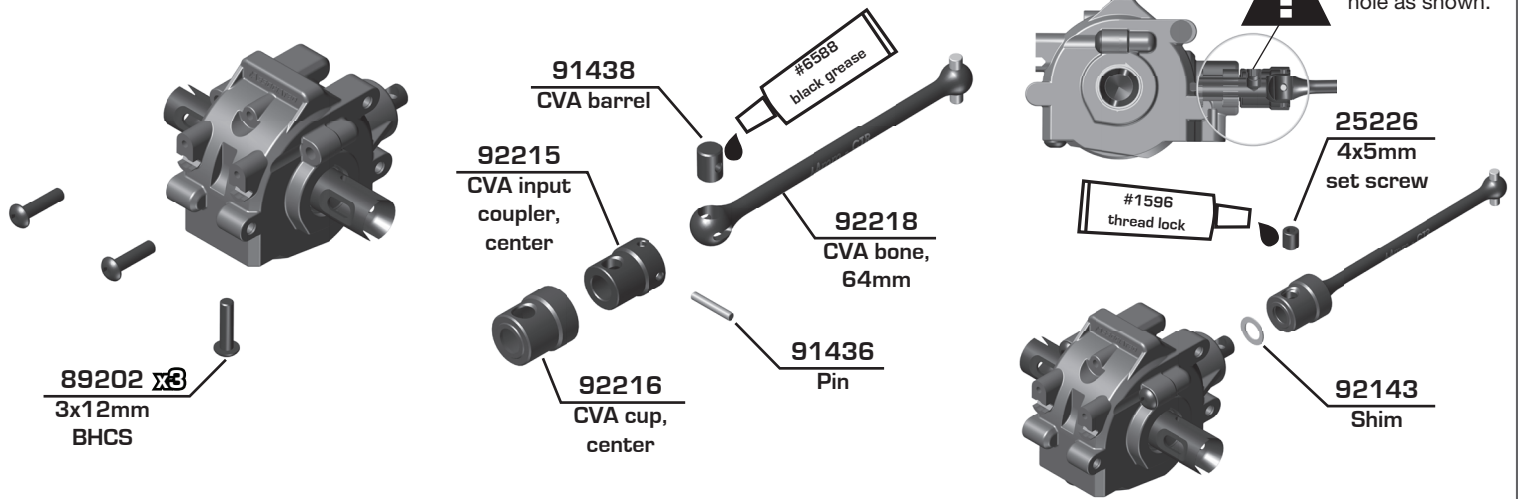


:: Bag 4 - Step 1



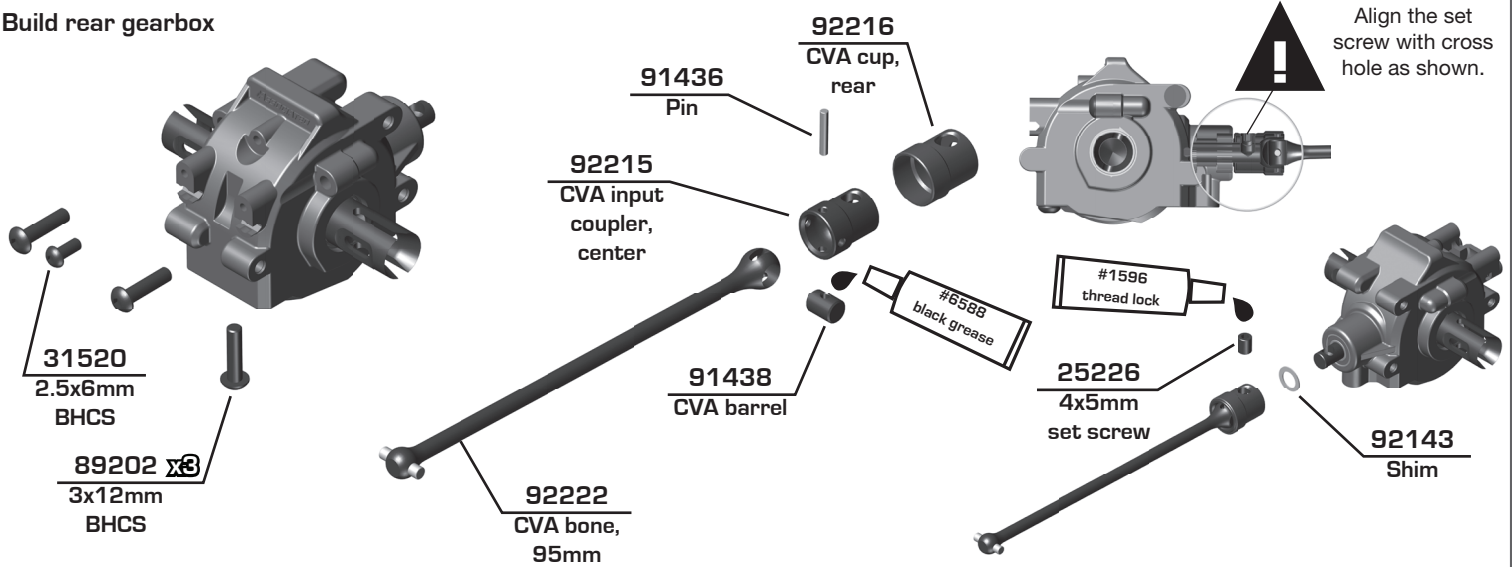
:: Bag 4 - Step 2

Build front gearbox



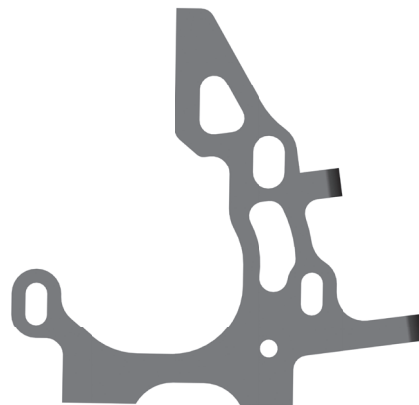
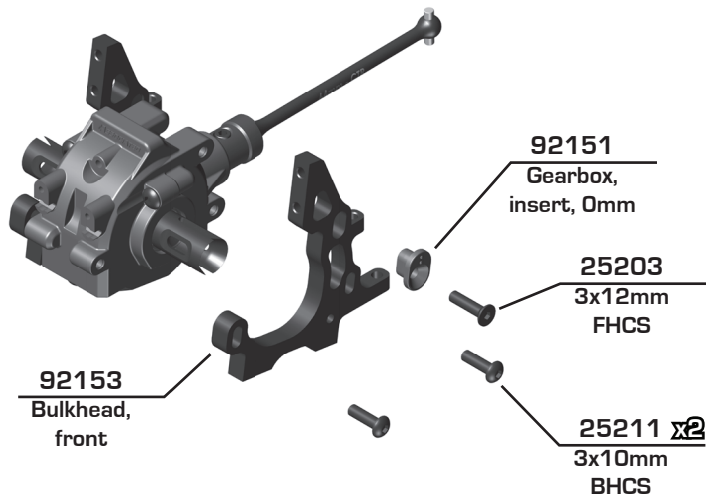
:: Bag 4 - Step 3

Build rear gearbox



:: Bag 5 - Step 1

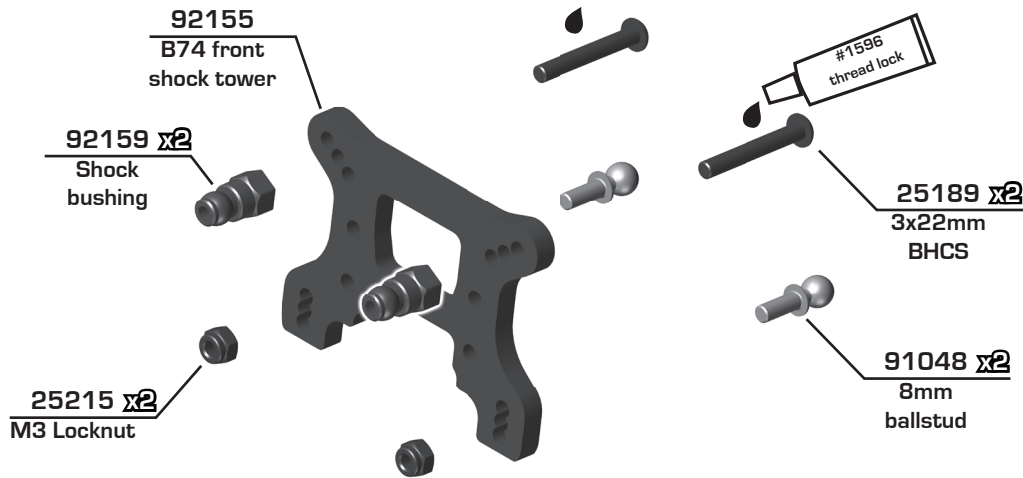
Build front gearbox, left and right sides



Diff Height	
	+3mm
	+2mm
	+1mm
	+0mm

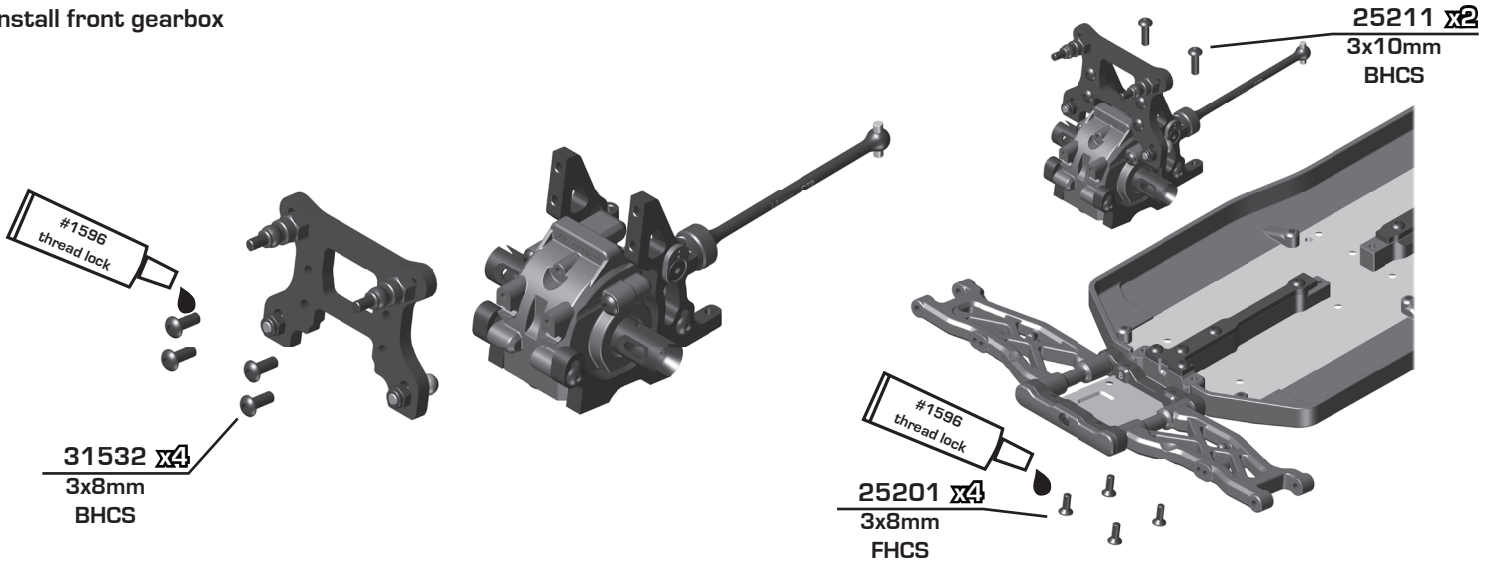
:: Bag 5 - Step 2

Build front shock tower



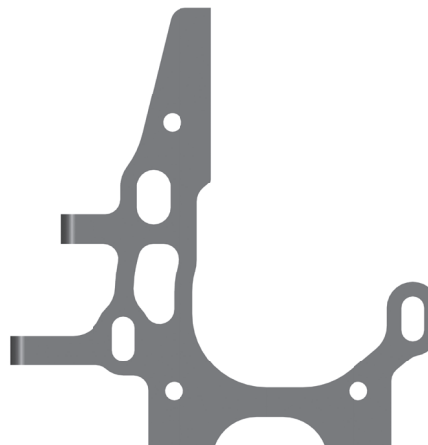
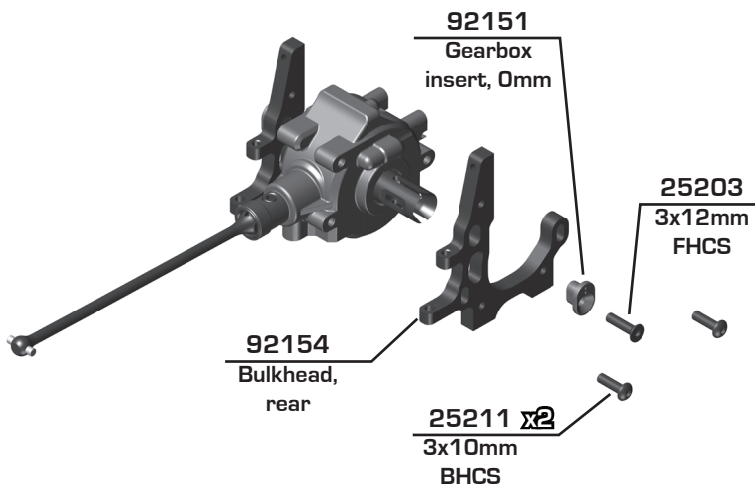
:: Bag 5 - Step 3





Install front gearbox



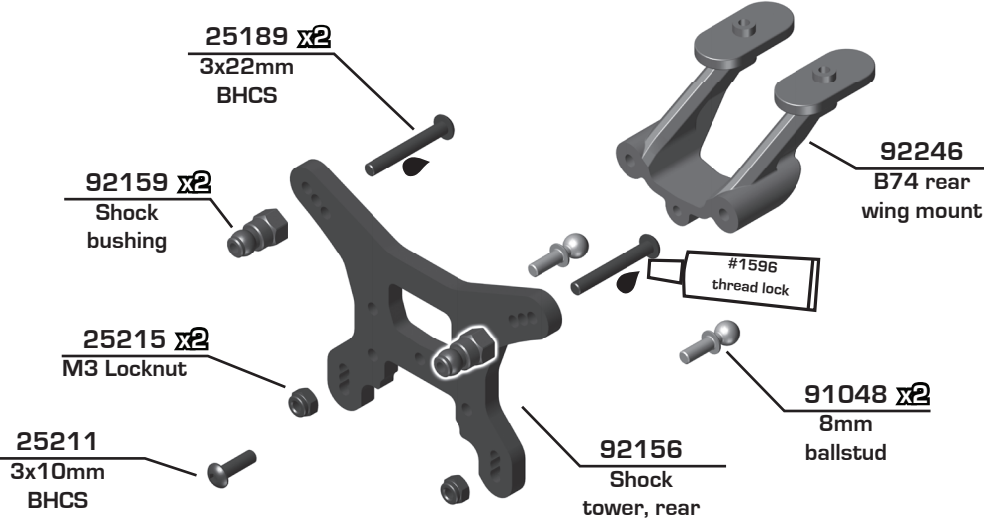
:: Bag 5 - Step 4

Build rear gearbox, left and right sides

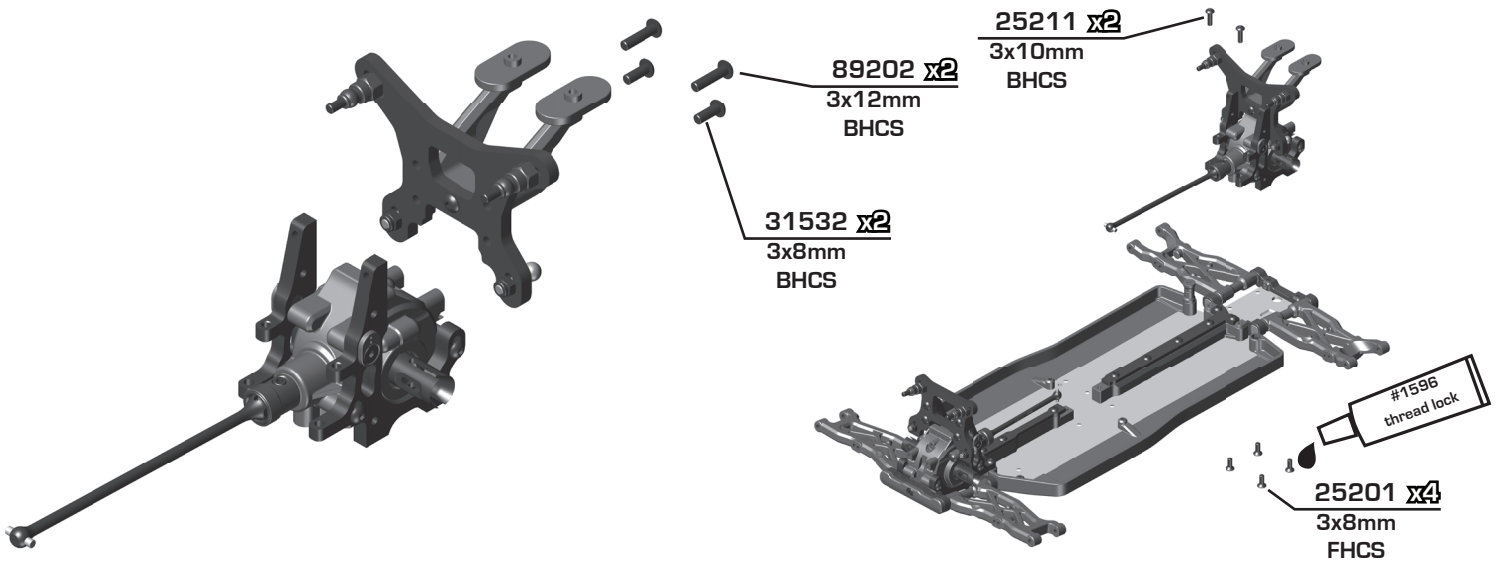


Diff Height	
	+3mm
	+2mm
	+1mm
	+0mm

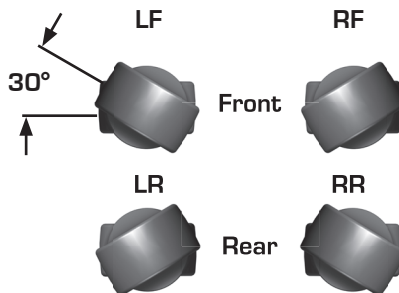
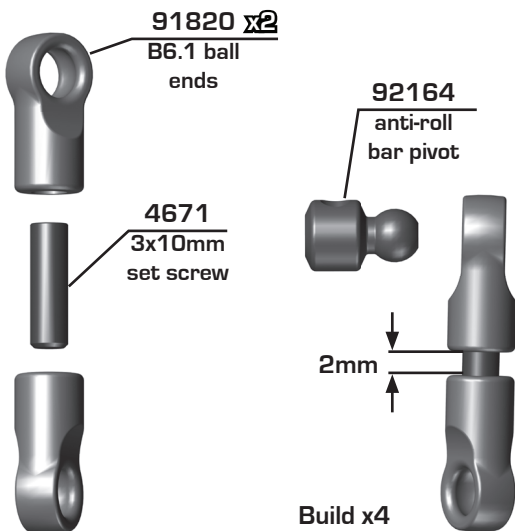
:: Bag 5 - Step 5



:: Bag 5 - Step 6

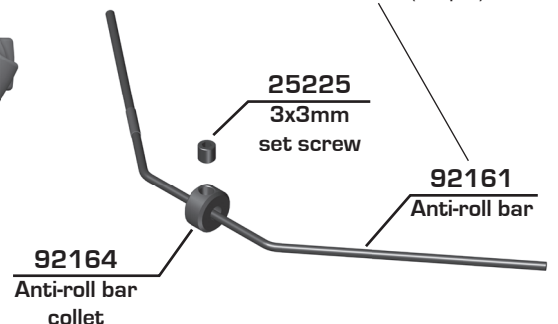


:: Bag 6 - Step 1

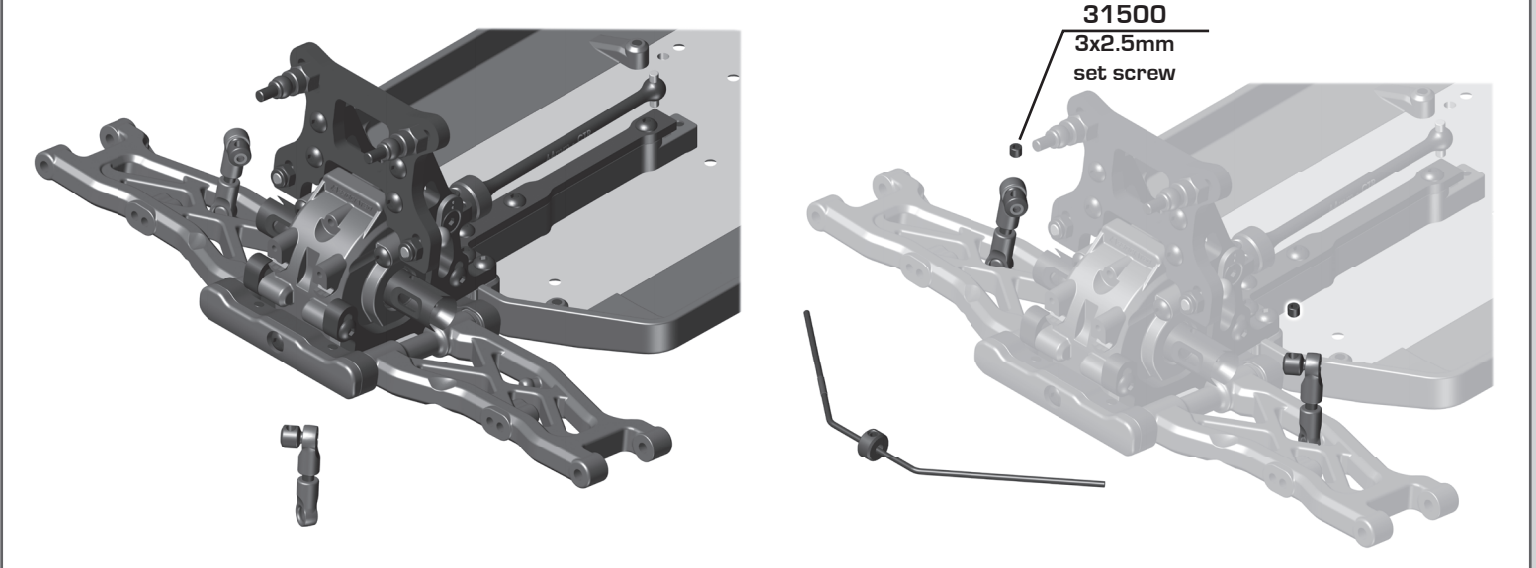


The B74 kit comes with 4 anti-roll bars. Use the chart below to select the one best suited for your track conditions. Bar size is etched on the bars.

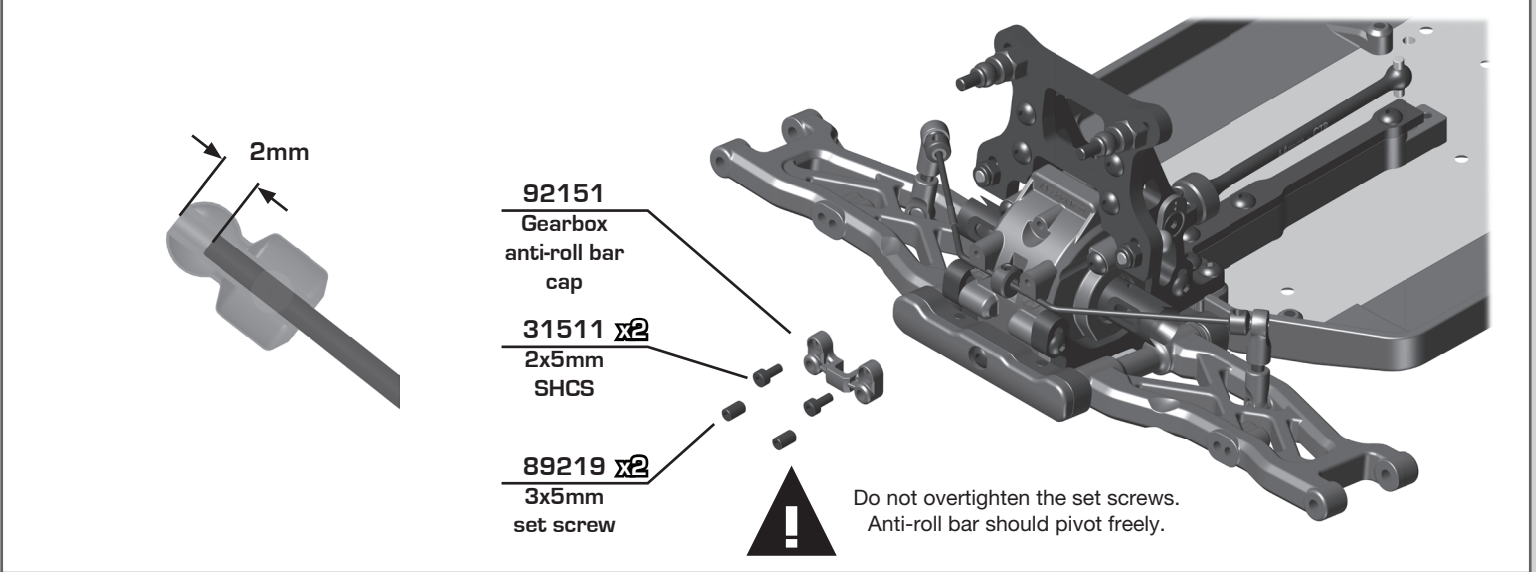
- 1.2mm - Rear (Dirt)
- 1.3mm - Front (Dirt)
- 1.6mm - Rear (Carpet)
- 1.7mm - Front (Carpet)



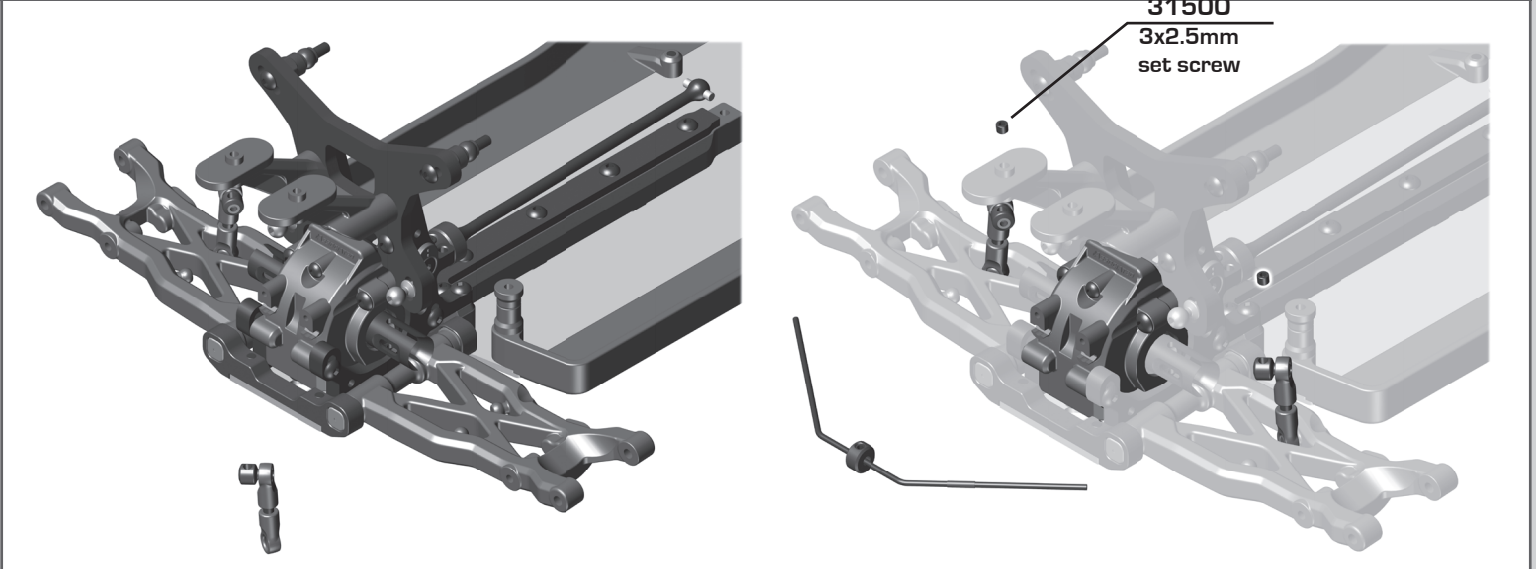
:: Bag 6 - Step 2



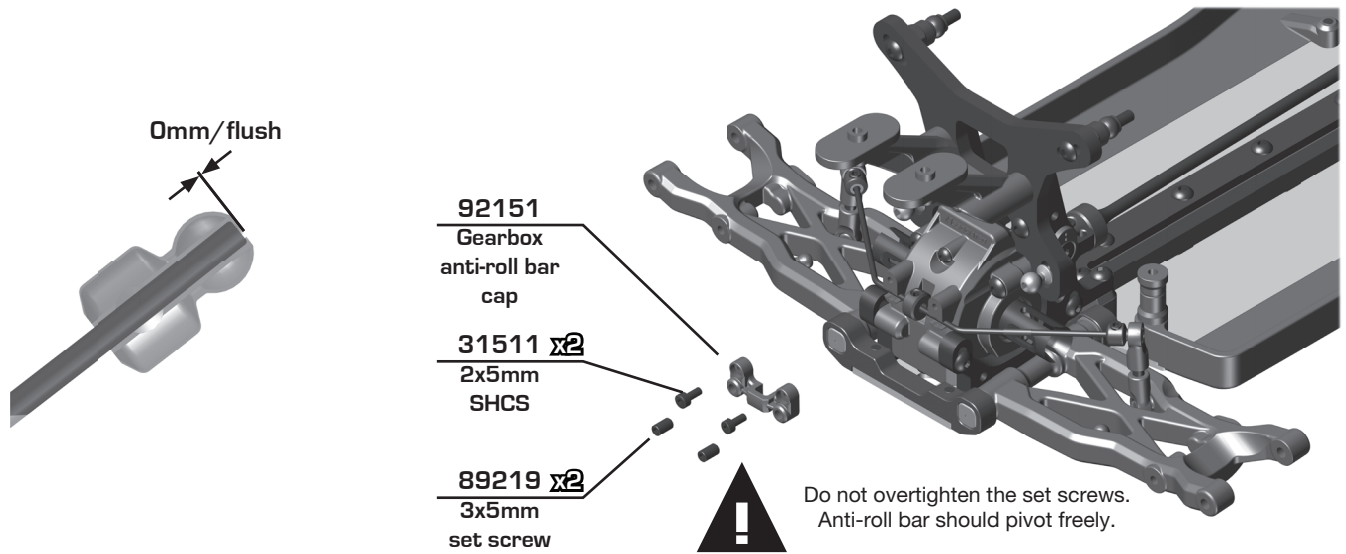
:: Bag 6 - Step 3



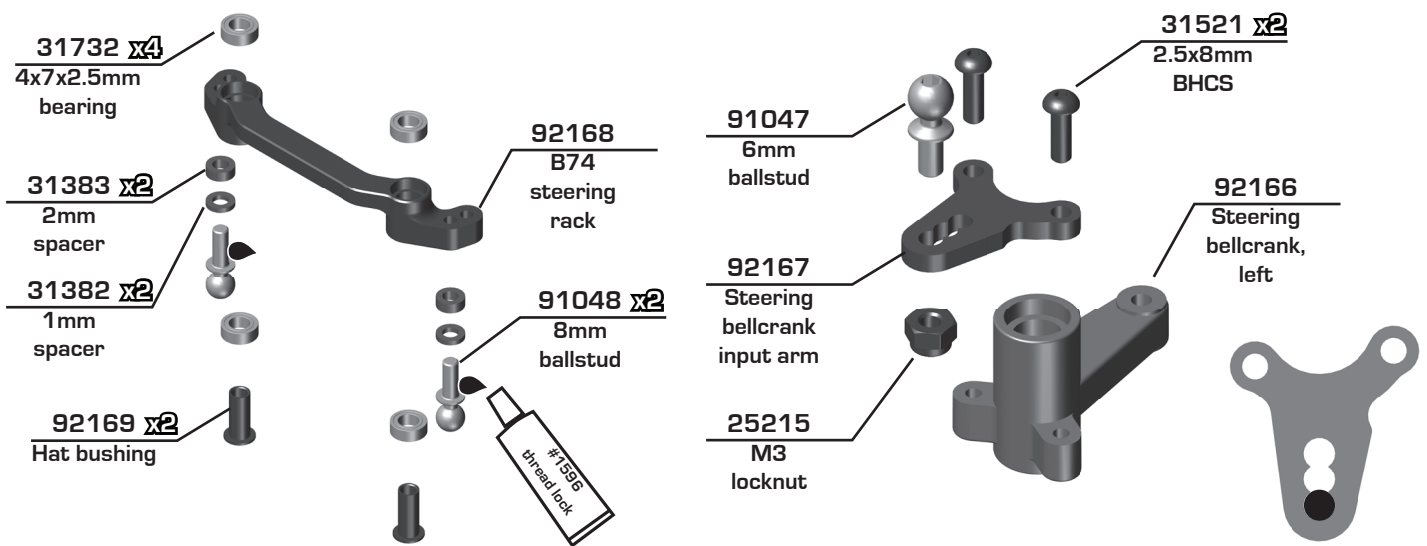
:: Bag 6 - Step 4



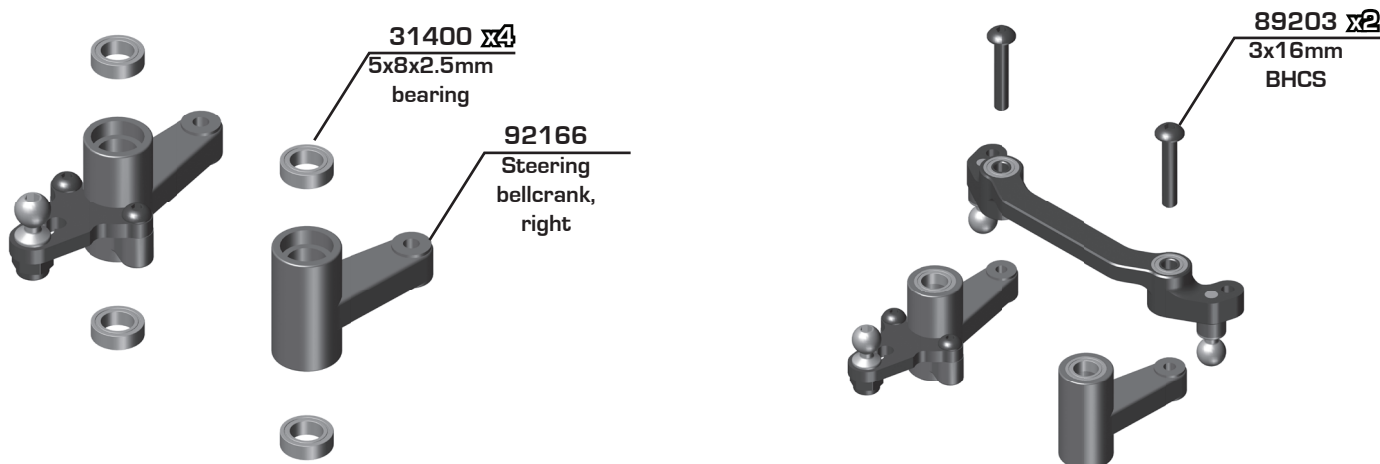
:: Bag 6 - Step 5



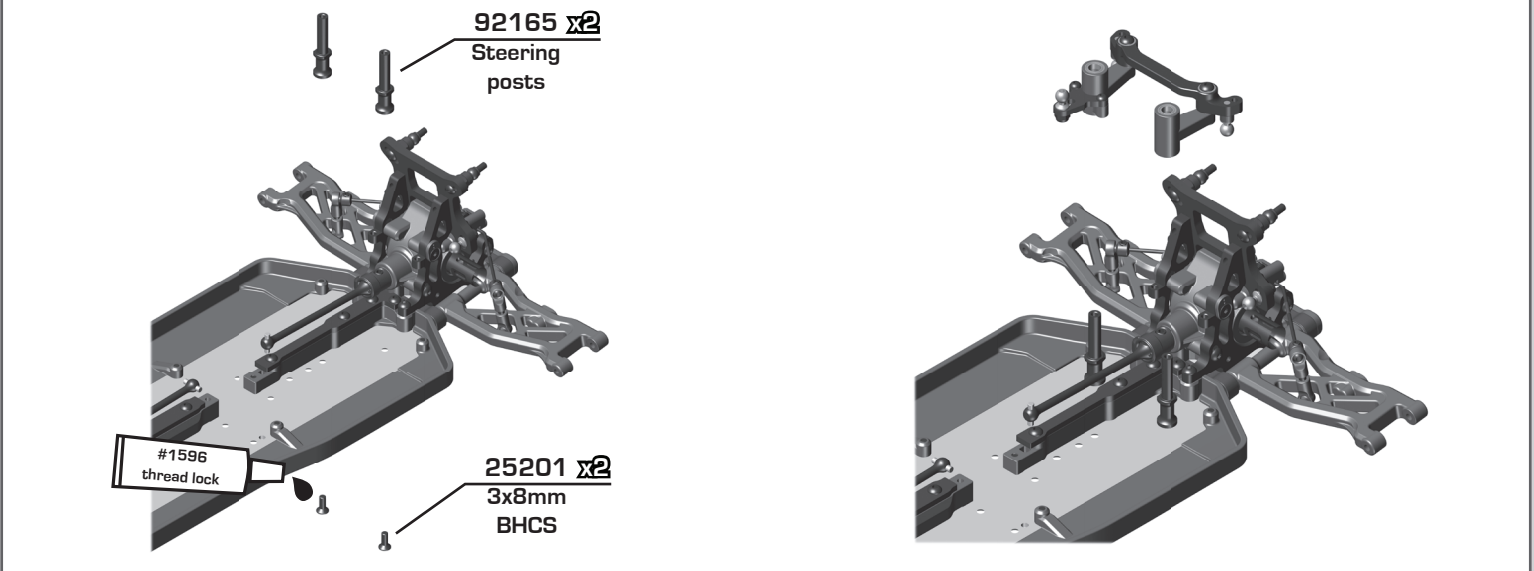
:: Bag 7 - Step 1



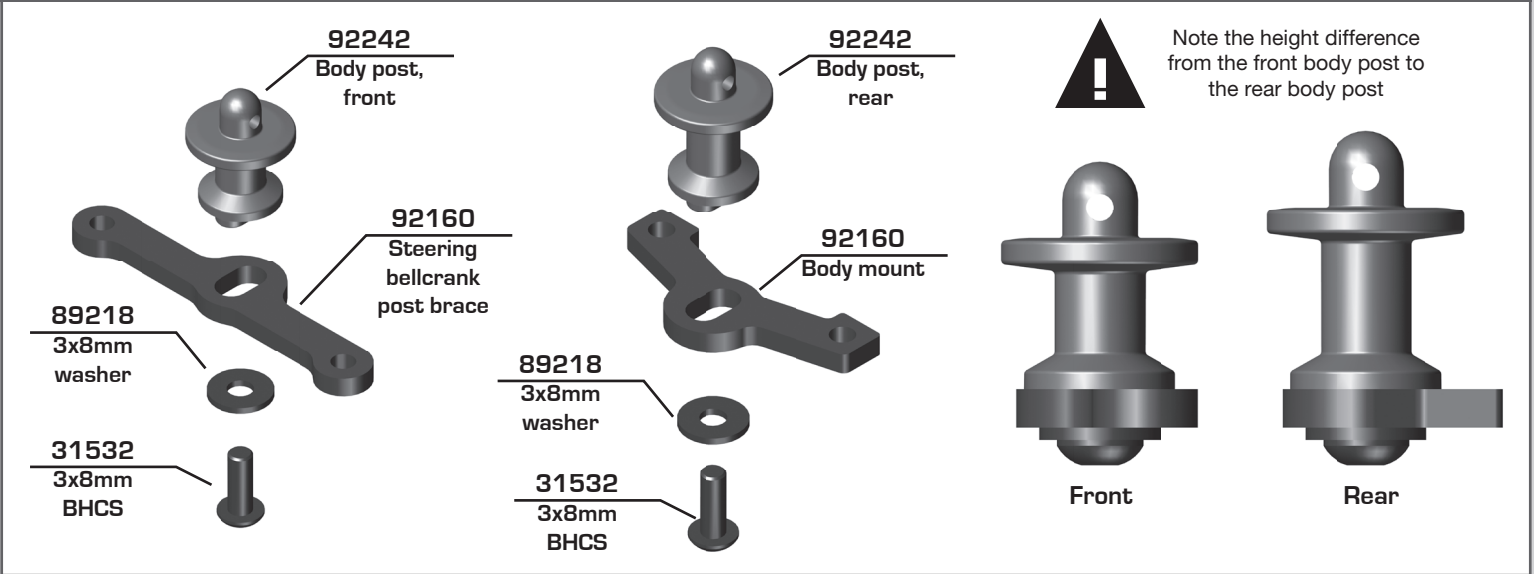
:: Bag 7 - Step 2



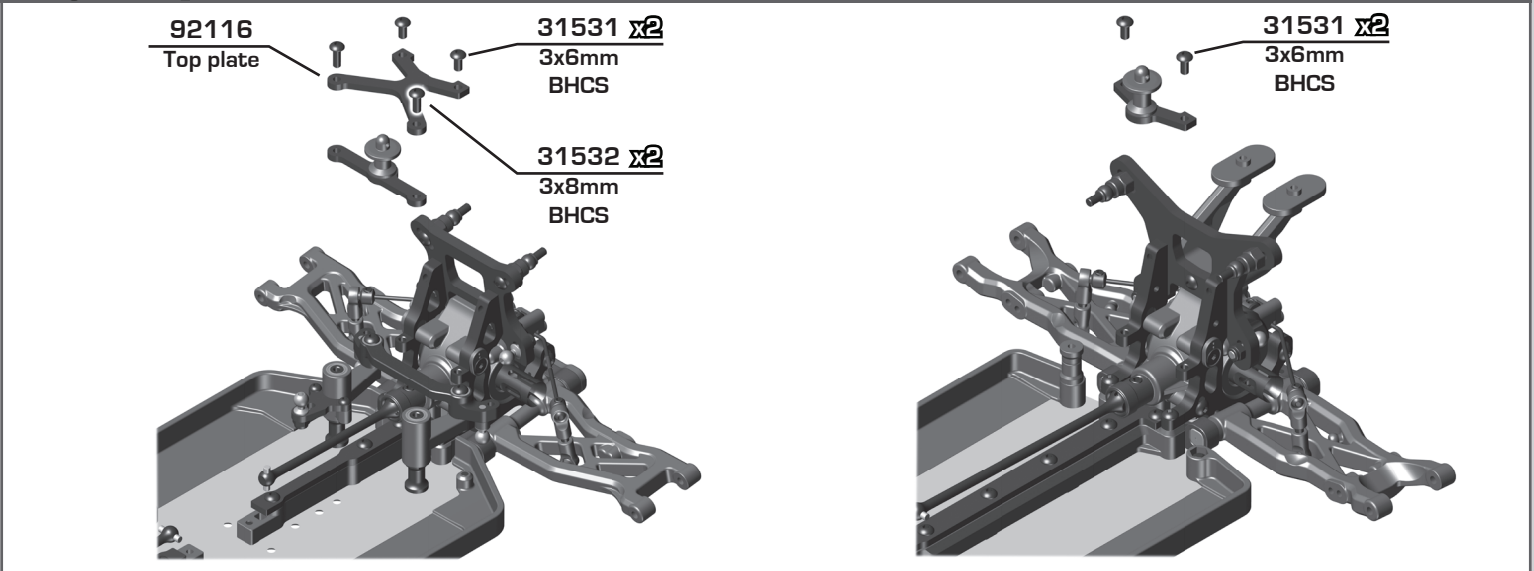
:: Bag 7 - Step 3



:: Bag 7 - Step 4

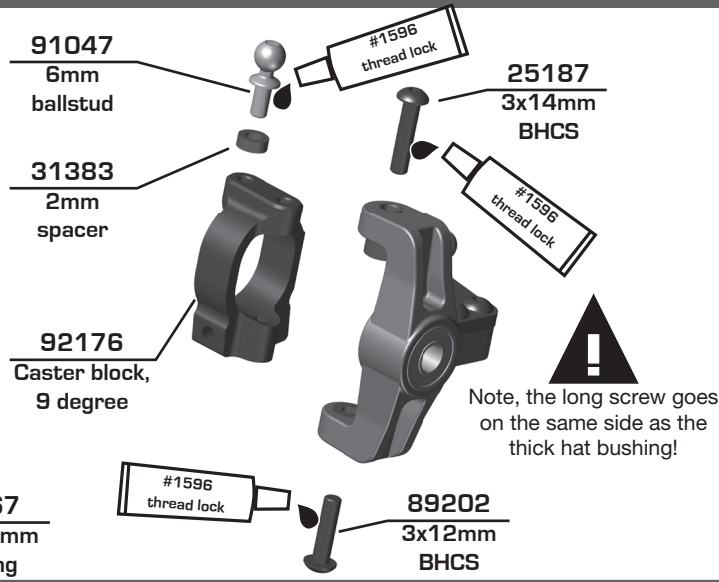
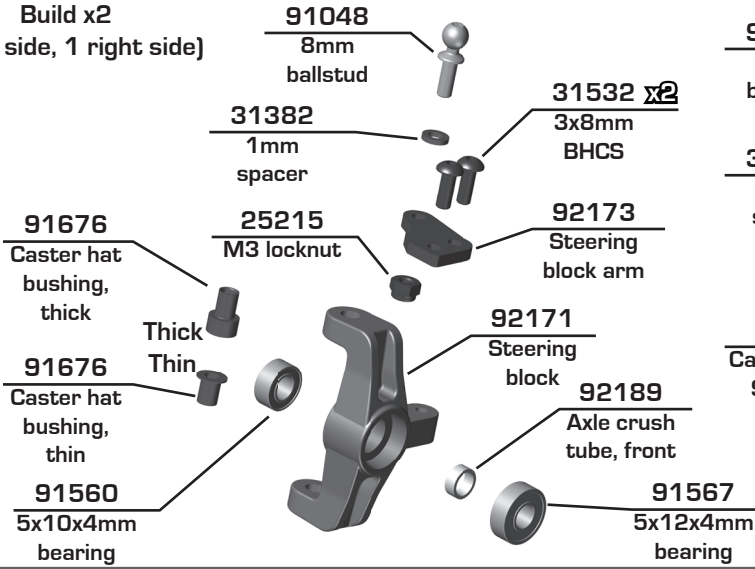


:: Bag 7 - Step 5



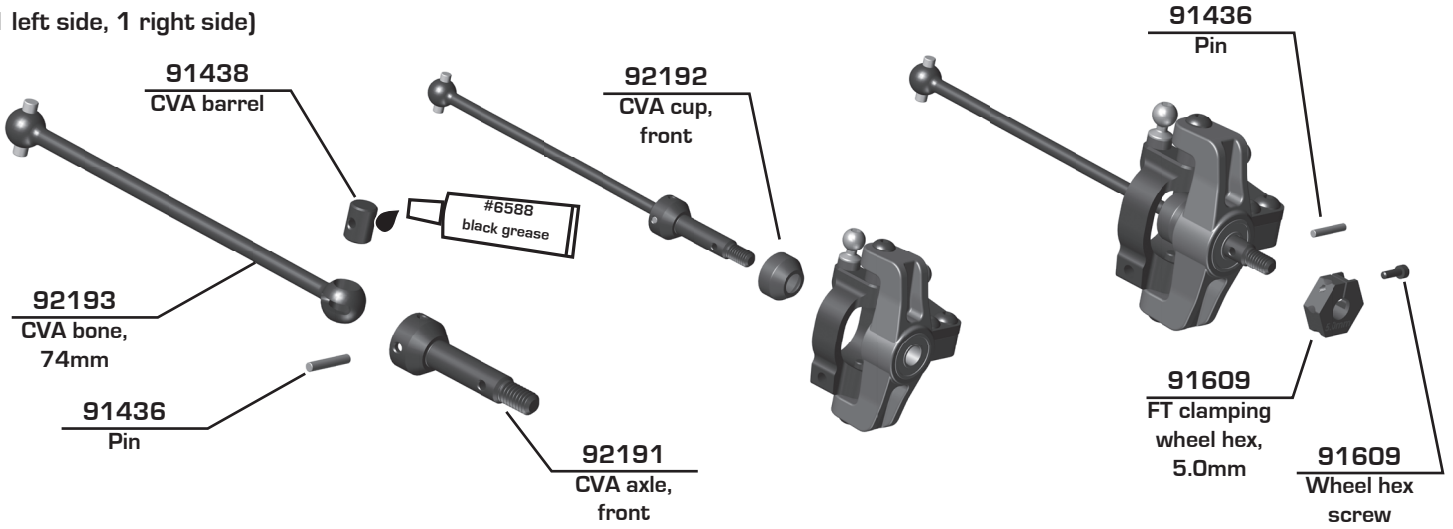
:: Bag 8 - Step 1

Build x2
(1 left side, 1 right side)

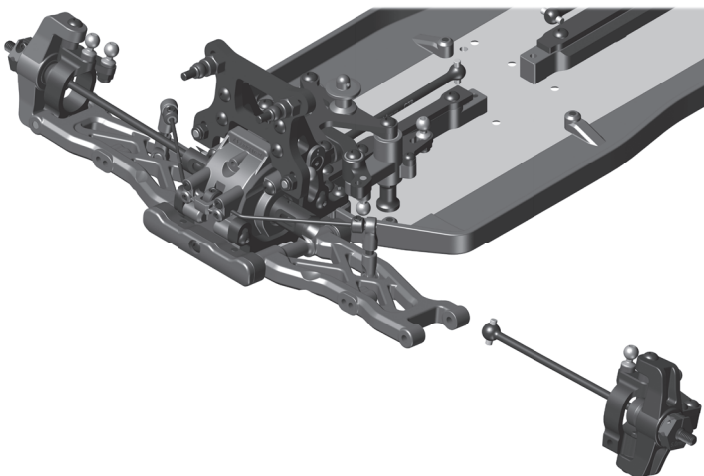


:: Bag 8 - Step 2

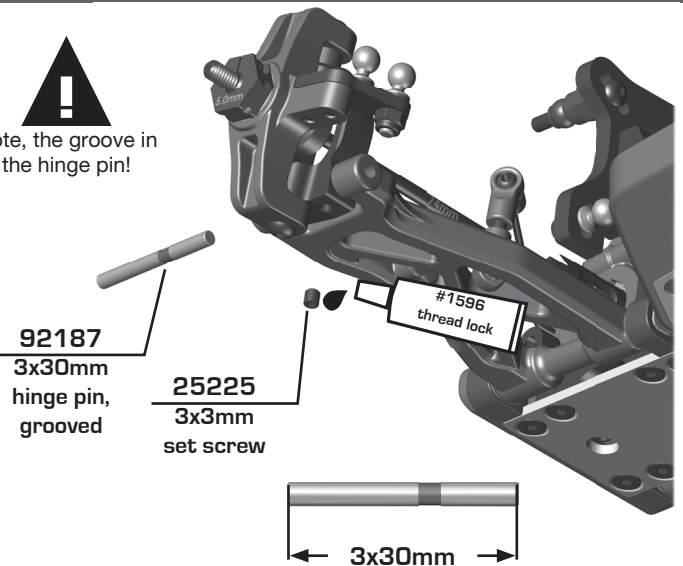
Build x2
(1 left side, 1 right side)



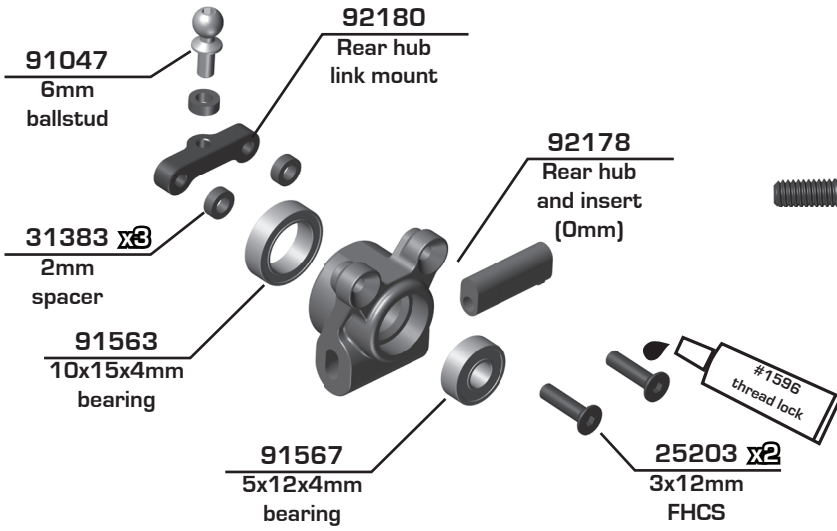
:: Bag 8 - Step 3



!
Note, the groove in the hinge pin!

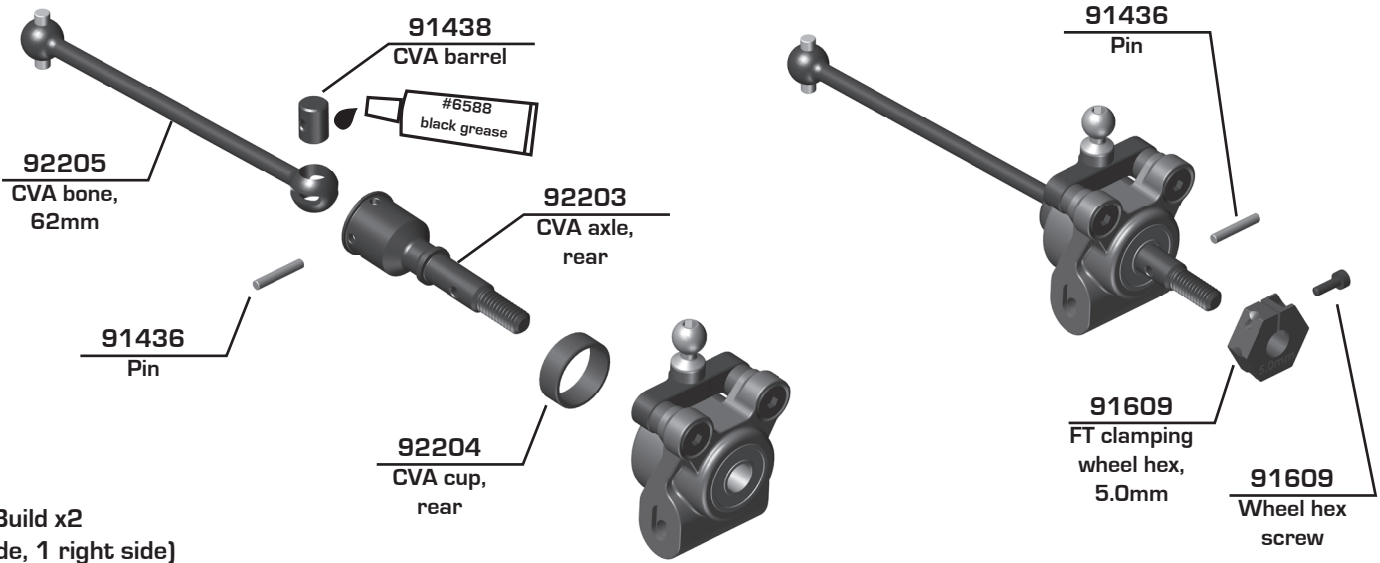


⚡ Bag 9 - Step 1



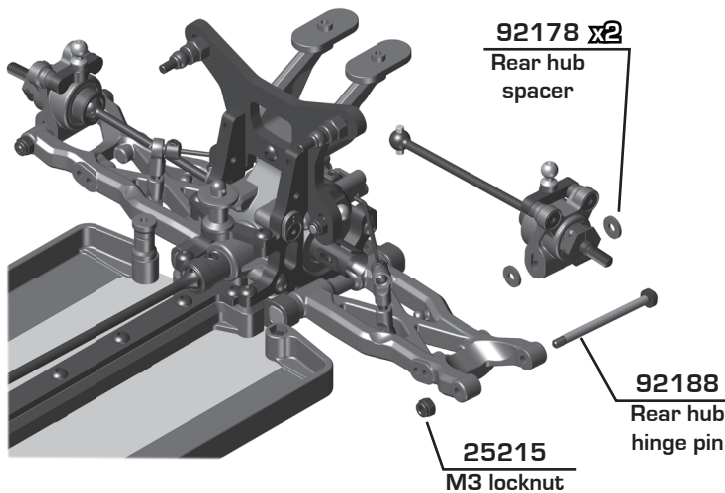
Rear Axle Height		
	↓ 0 3 ↑	+3mm
	↓ 1 2 ↑	+2mm
	↑ 1 2 ↓	+1mm
	↑ 0 3 ↓	+0mm

⚡ Bag 9 - Step 2

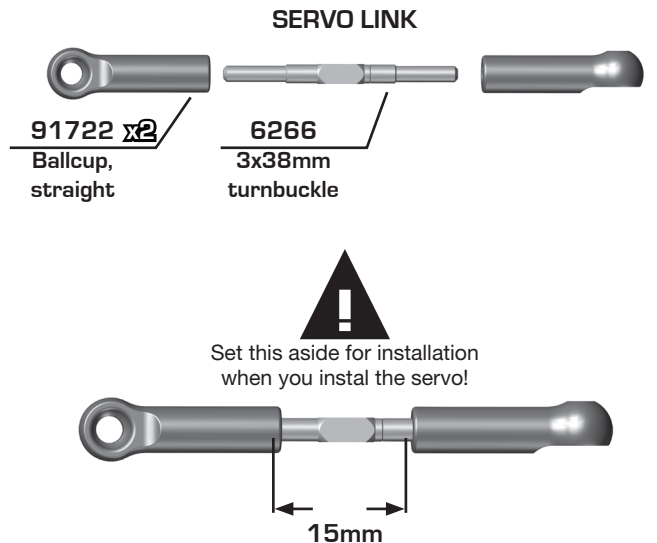


⚡ Bag 9 - Step 3

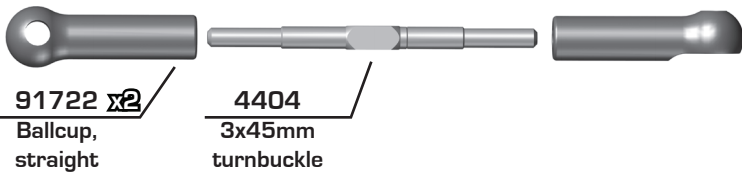
Build x2
(1 left side, 1 right side)



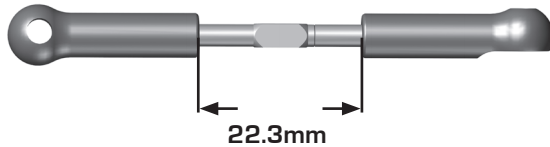
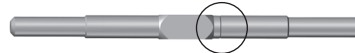
⚡ Bag 10 - Step 1



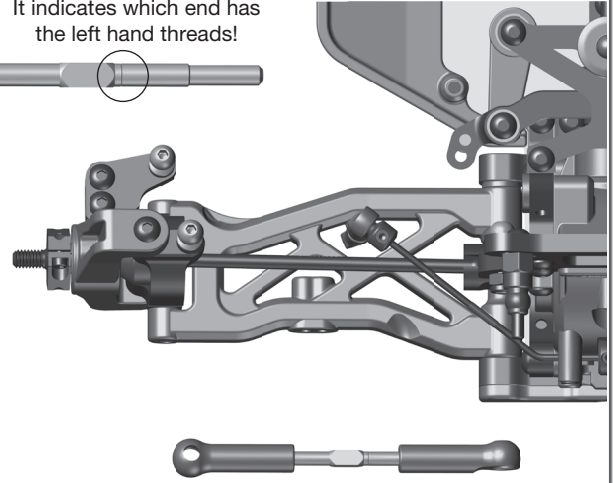
:: Bag 10 - Step 2



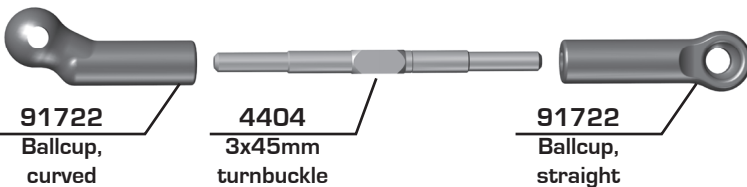
Orient the notch to the left throughout the car. It indicates which end has the left hand threads!



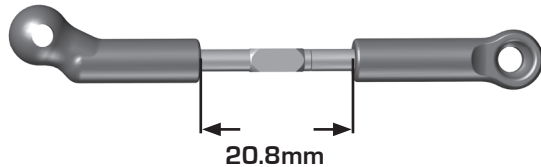
Build x2 (1 left side, 1 right side)



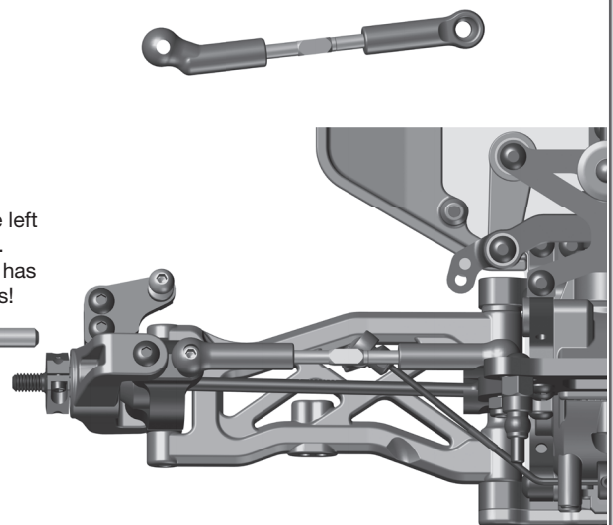
:: Bag 10 - Step 3



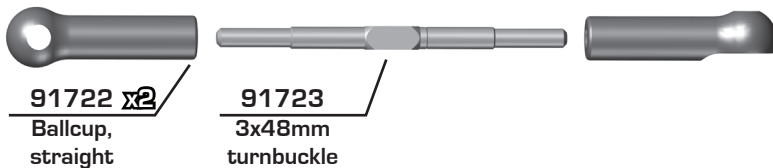
Orient the notch to the left throughout the car. It indicates which end has the left hand threads!



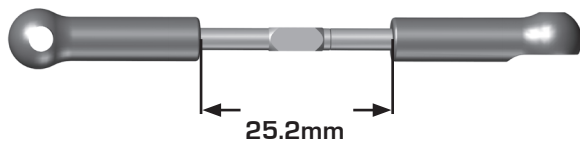
Build x2 (1 left side, 1 right side)



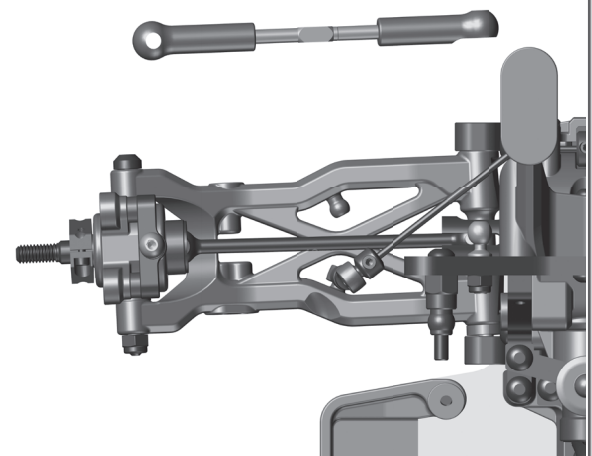
:: Bag 10 - Step 4



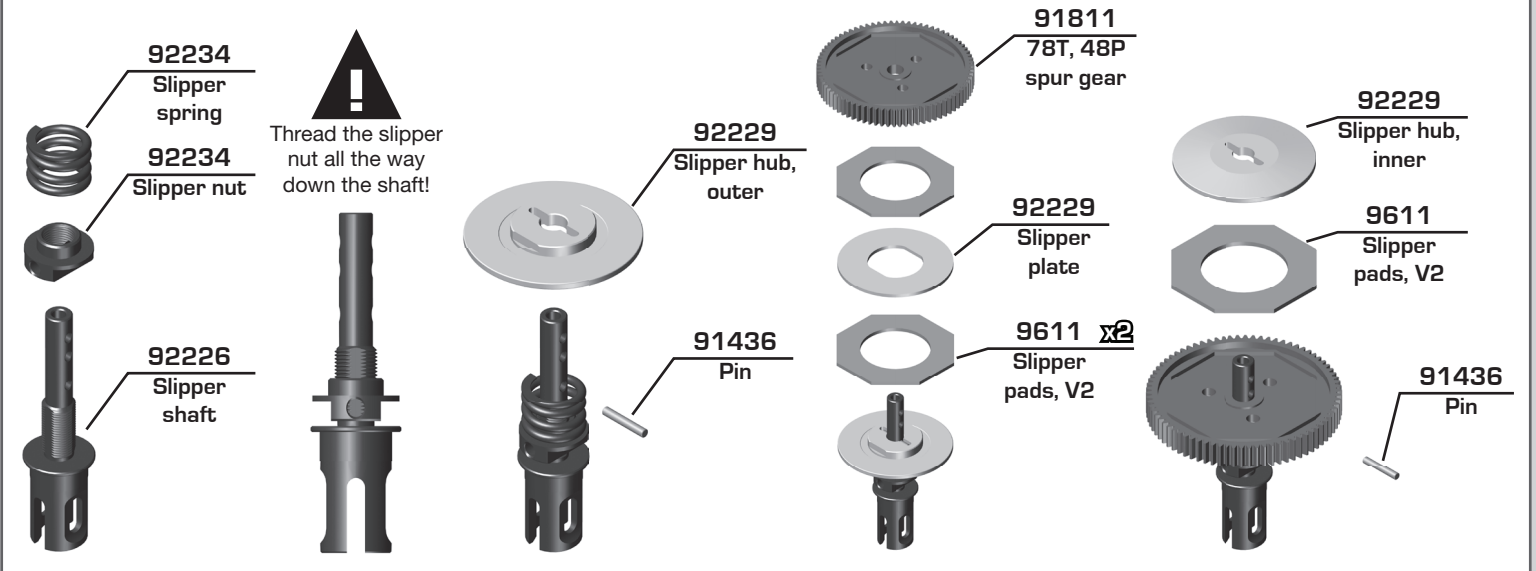
Orient the notch to the left throughout the car. It indicates which end has the left hand threads!



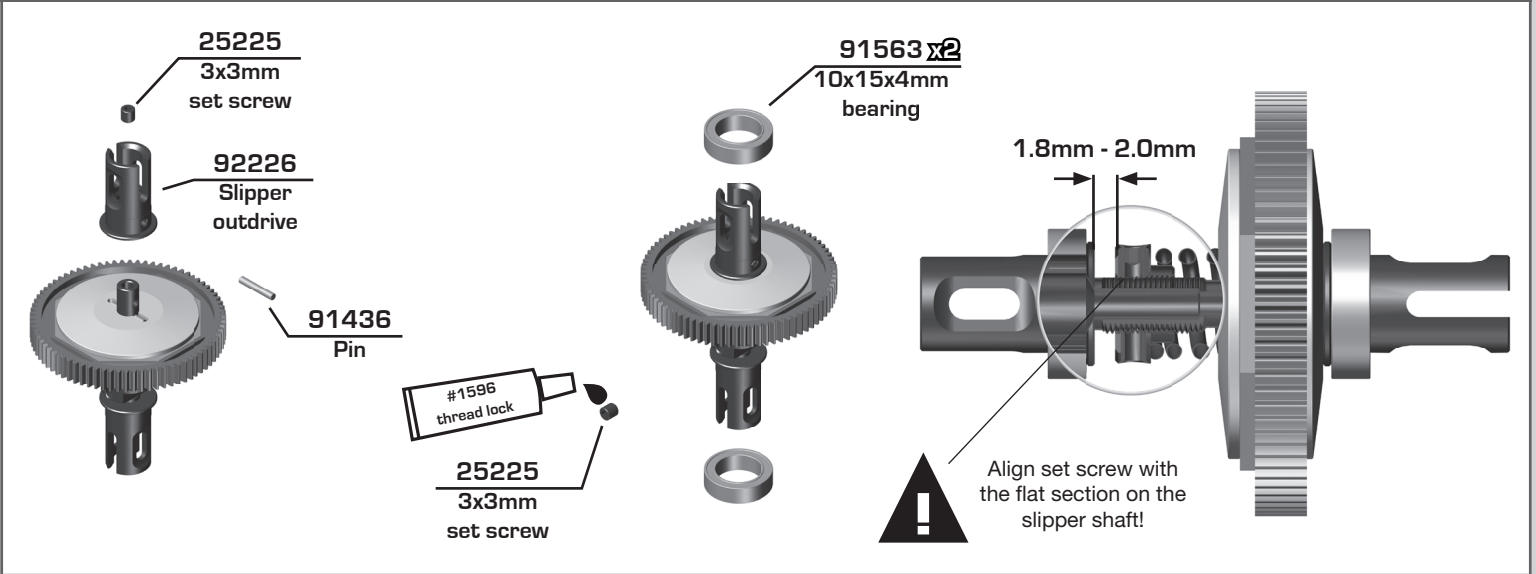
Build x2 (1 left side, 1 right side)



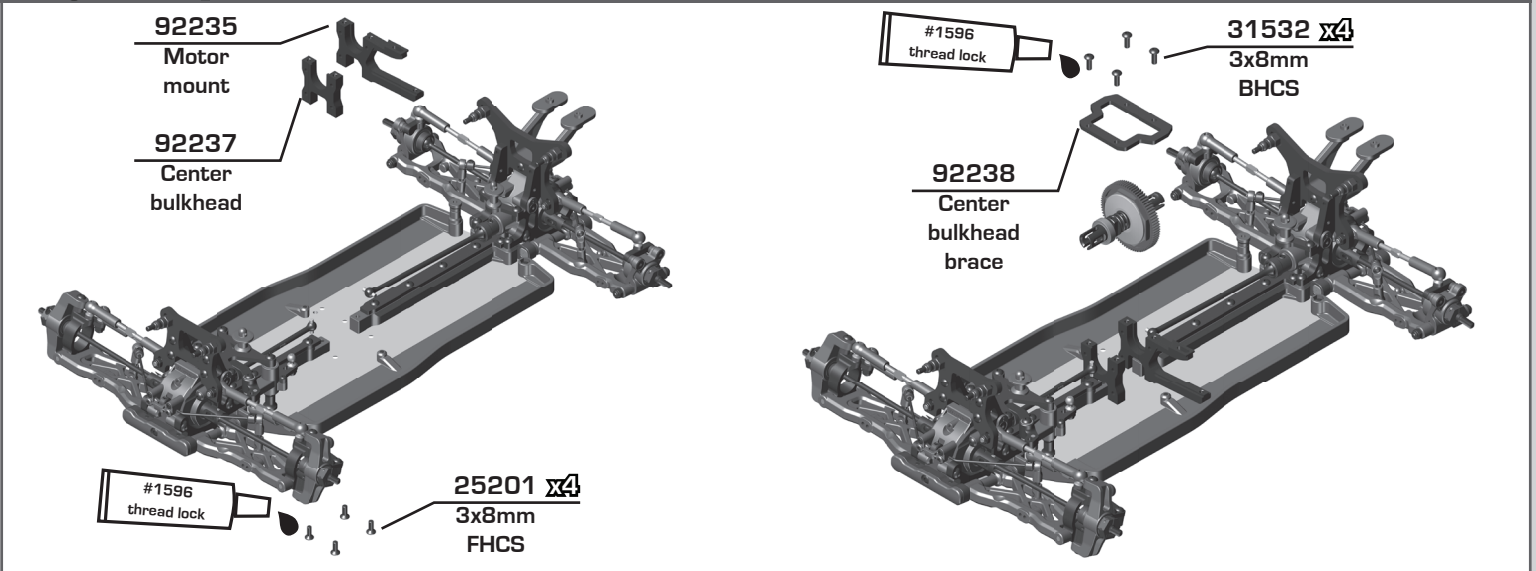
:: Bag 11 - Step 1



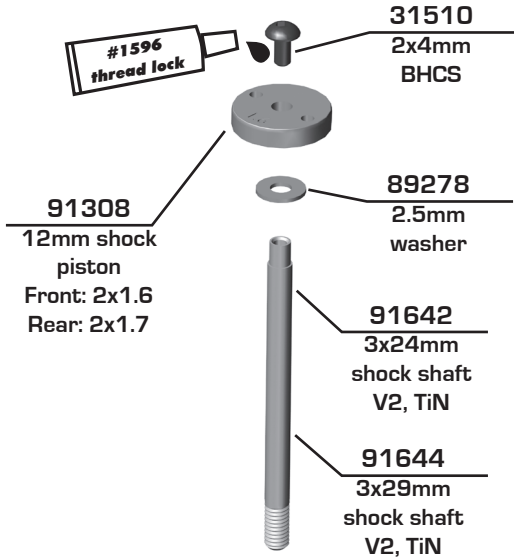
:: Bag 11 - Step 2



:: Bag 11 - Step 3



:: Bag 12 - Step 1

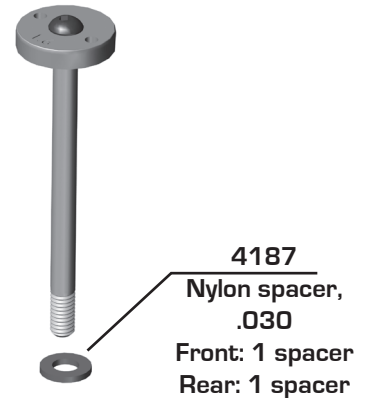


!
Mount the shock pistons with the number facing up!

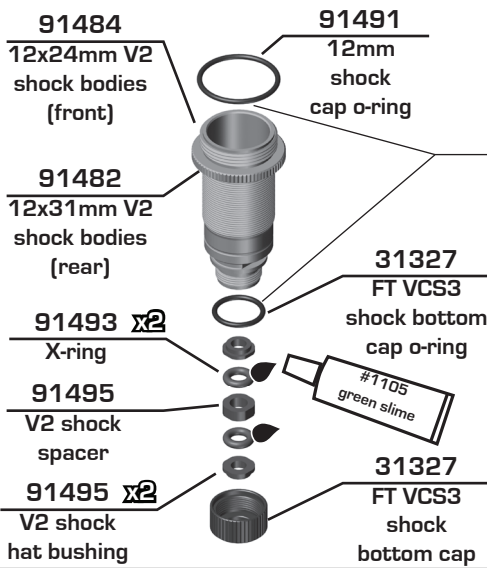


Racers Tip:

Use a marker over the numbers on the pistons to make them easily visible!



:: Bag 12 - Step 2



!
Lightly rub shock oil on the o-rings before installation!



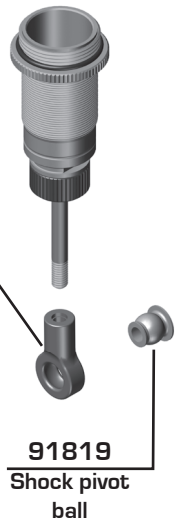
Racers Tip:

Coating the o-rings with green slime (#1105) helps seal & reduce o-ring swell! Green slime not included in kit!

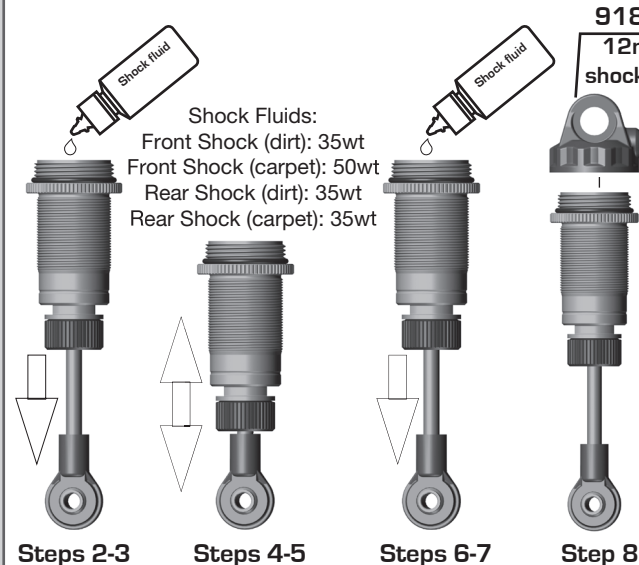
There is a short and long shock eyelet. Front shocks use the long eyelet. Rear shocks use the short eyelet.



91721 Shock eyelet
Front: long
Rear: long

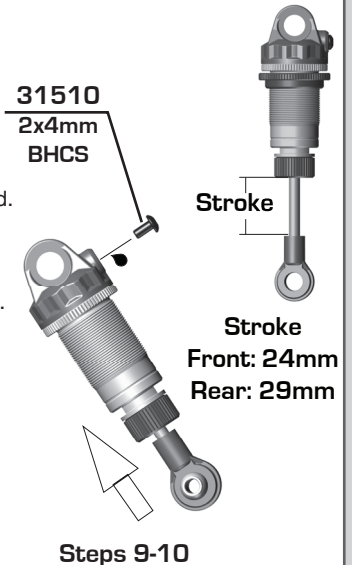


:: Bag 12 - Step 3



Shock Bleeding Steps:

1. Before assembly, get each bleed screw and thread it 1-2 turns into the shock cap, then remove the screw. This will make it easier when you are bleeding your shocks.
2. Pull shock shaft down.
3. Fill shock body 3/4 full with silicone shock fluid.
4. Slowly move the shock shaft up and down to remove air from under the piston.
5. Wait for bubbles to come to surface.
6. Fill shock body to top with silicone shock fluid.
7. Place a drop of oil in the cap and on cap threads.
8. Install cap (without bleed screw) and tighten completely.
9. Slowly compress shaft all the way to bleed excess silicone shock fluid out the hole in the cap (use rag around shock to catch excess fluid).
10. Install M2x4mm button head screw until snug while shaft is fully compressed.



:: Bag 12 - Step 4

91491
12mm threaded collar o-ring

91304
12mm threaded collar

Racers Tip:
Use your finger to rub shock oil on the o-ring for smoother adjustment!

91834
Front shock springs, yellow, 4.30 lb/in, L44 mm

91840
Rear shock springs, blue, 2.20 lb/in, L61 mm

#91814 12mm Shock Spring Cups
0mm 5mm 9mm

91814
12mm shock spring cup
Front: 5mm
Rear: 5mm

Front: 7mm
Rear: 4.5mm

Build x4

Build x2 front and x2 rear shocks

:: Bag 12 - Step 5

25612
M3 flanged nut, black

89203
3x16mm BHCS

Install x2 front and x2 rear shocks

25612
M3 flanged nut, black

89203
3x16mm BHCS

:: Bag 13 - Step 1

Servo (Not included)

#1596
thread lock

31805
Outer servo mount

92239
Servo mount

31531 x4
3x6mm BHCS

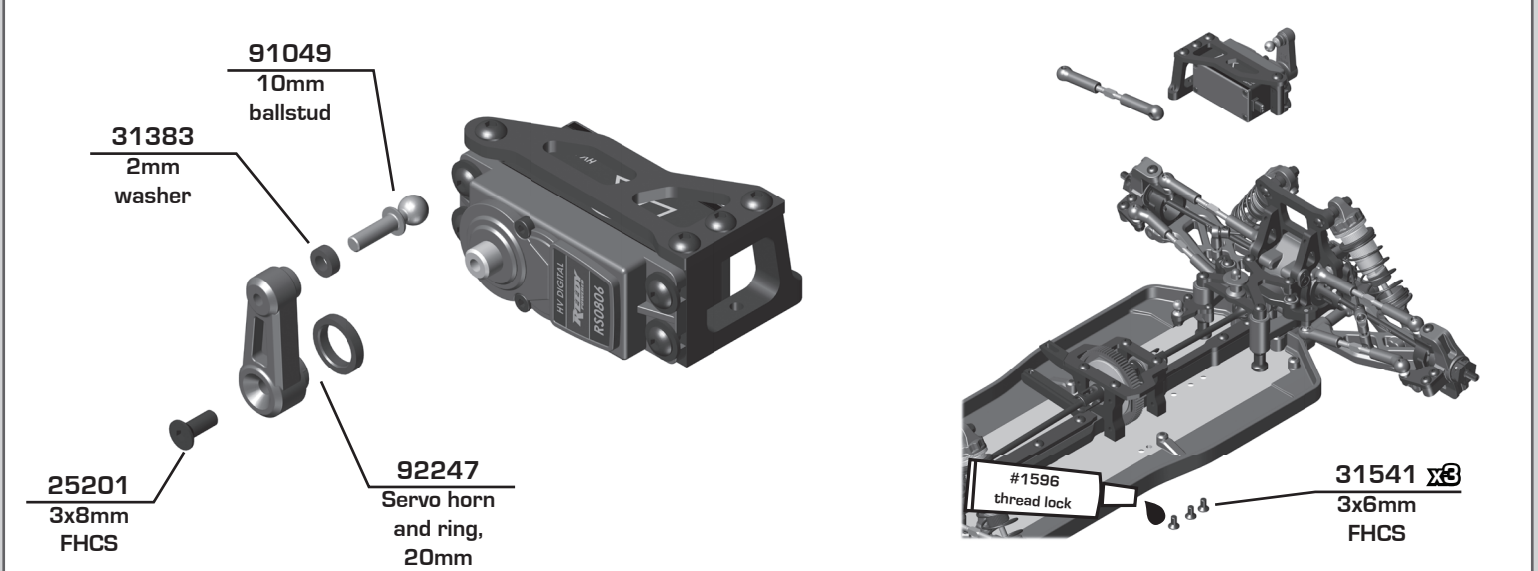
#1596
thread lock

92240
Servo mount brace

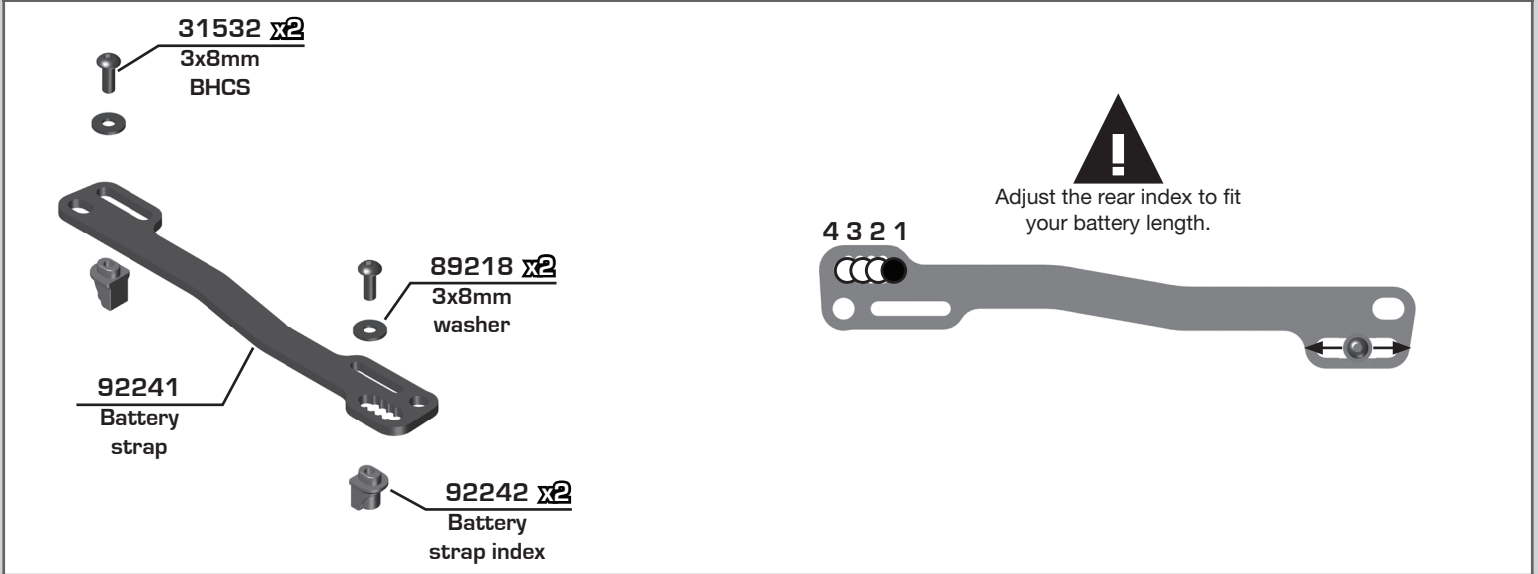
31532 x4
3x8mm BHCS

89218 x4
3x8mm washer

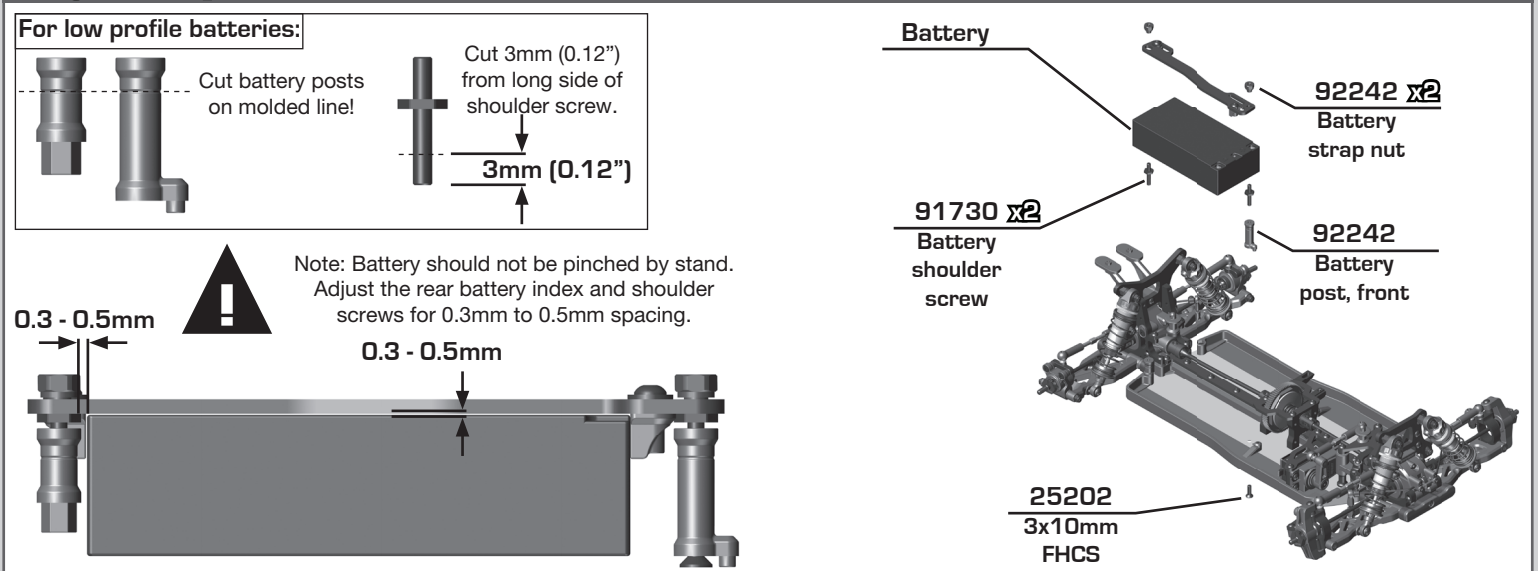
:: Bag 13 - Step 2



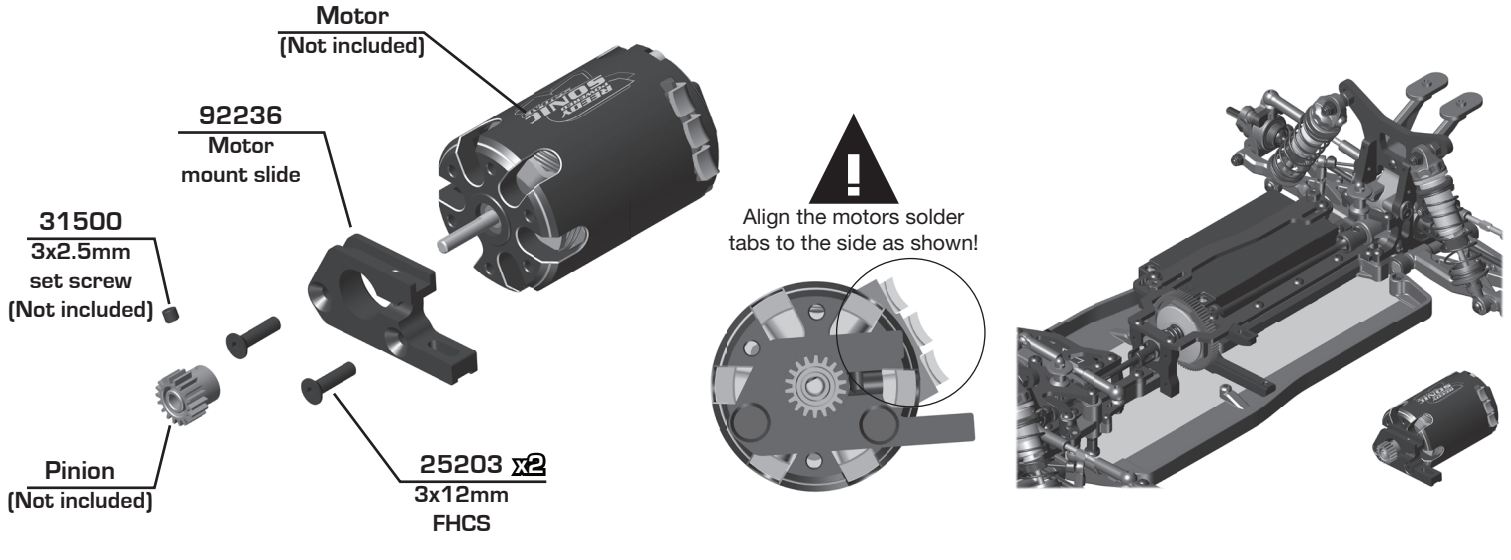
:: Bag 13 - Step 3



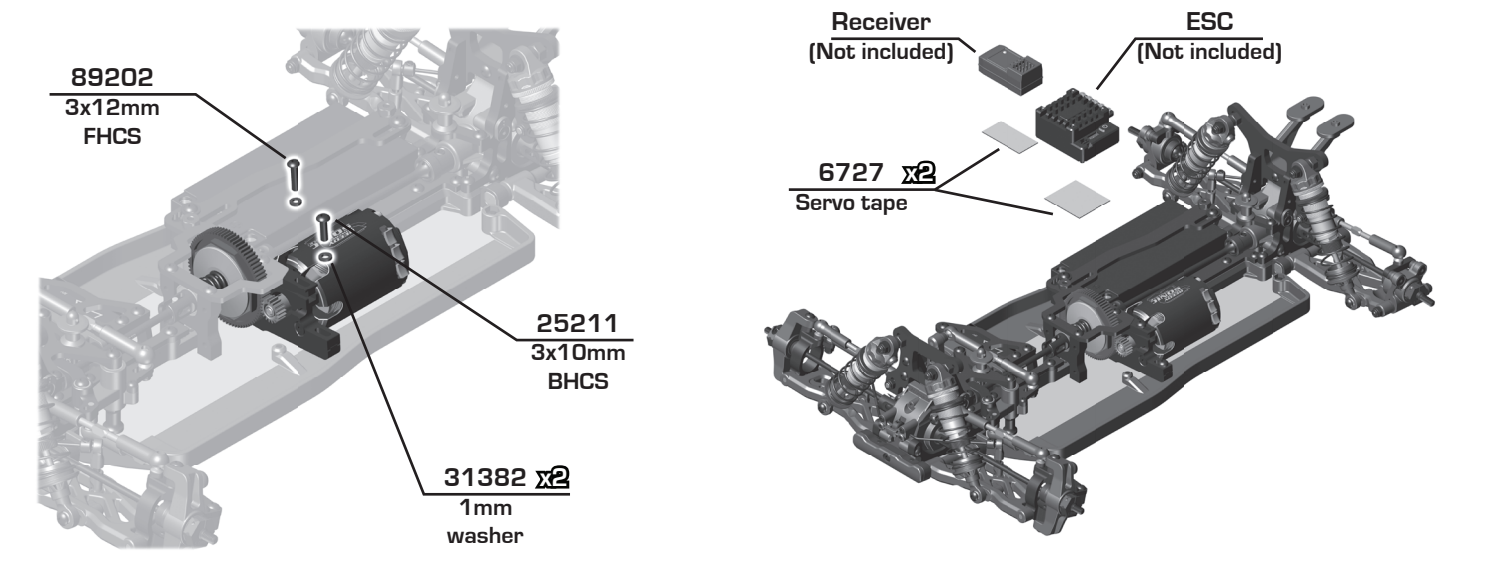
:: Bag 13 - Step 4



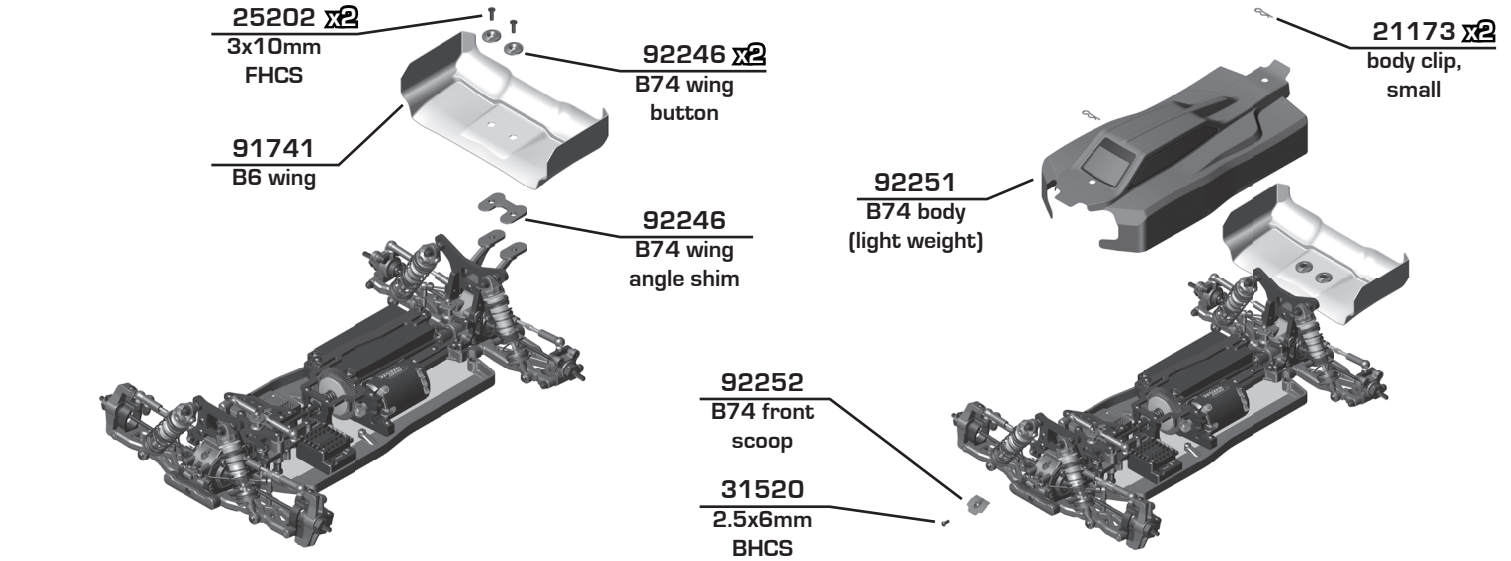
:: Bag 13 - Step 5



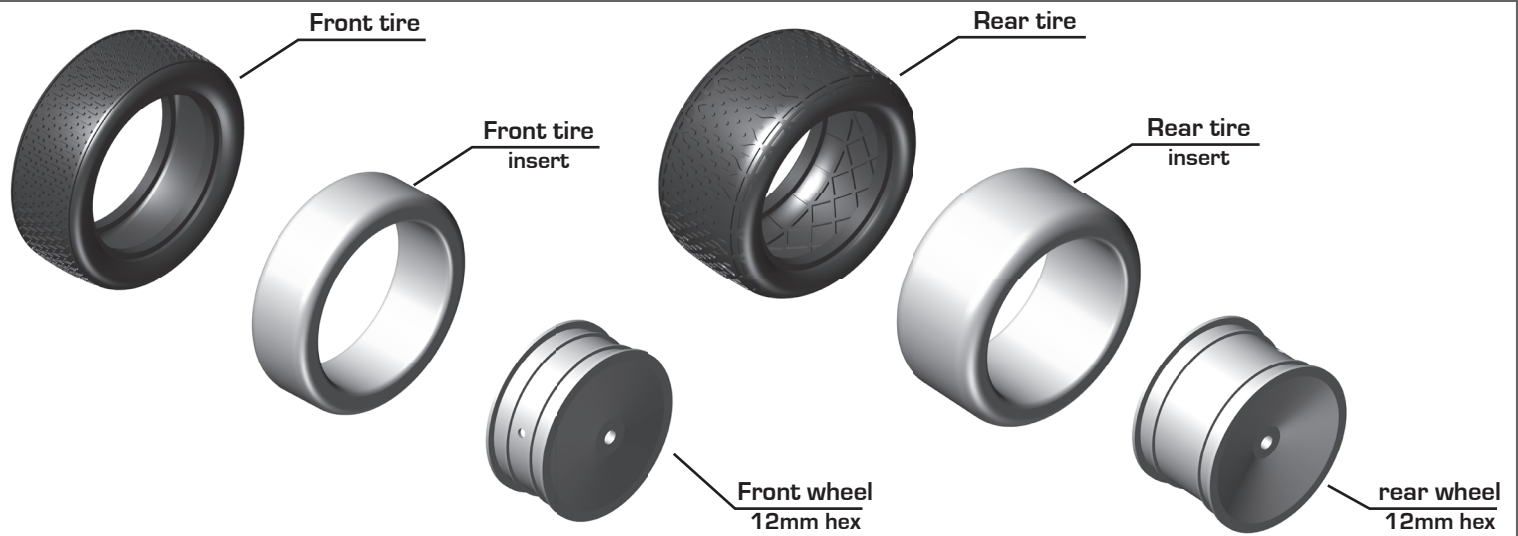
:: Bag 13 - Step 6



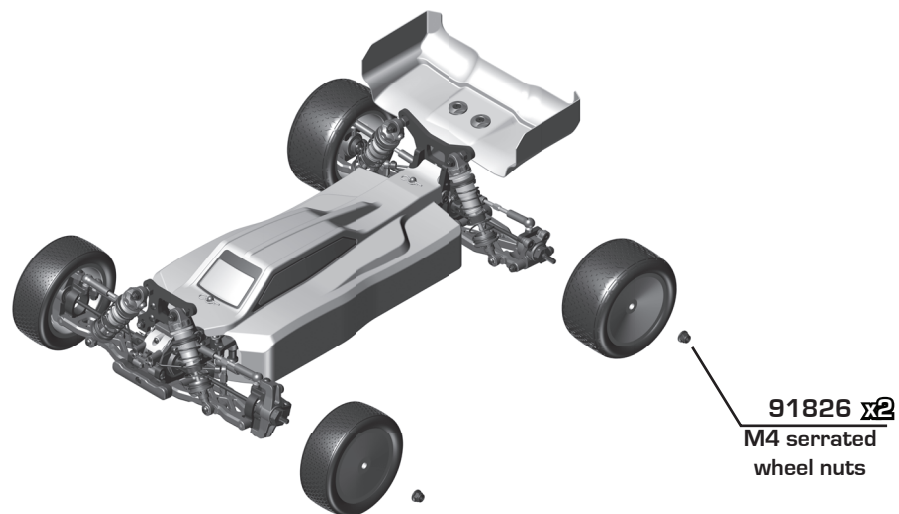
:: Bag 13 - Step 7



:: Bag 13 - Step 8



:: Bag 13 - Step 9



:: Tuning Tips - Painting, Beginners

Painting:

Your Kit requires a clear polycarbonate body. You will need to prep the body before you can paint it. Wash the INSIDE thoroughly with warm water and liquid detergent (do not use any detergents with scents or added hand lotion ingredients!). Dry the body using a clean, soft, lint-free cloth. Use the supplied window masks to cover the windows from the INSIDE of the body (RC bodies get painted on the inside). Using high quality masking tape, apply tape to the inside of the body to create a design. Spray (use either rattle can or airbrush) the paint on the inside of the body (preferably dark colors first, lighter colors last). NOTE: ONLY use paint that is recommended for (polycarbonate) plastics. If you do not, you can destroy the body! After the paint has completely dried (usually after 24 hours), cut the body along the trim lines. Make sure to drill or use a body reamer to make the holes for the antenna if needed! Use hook and loop tape to secure the body to the side rails of the vehicle.

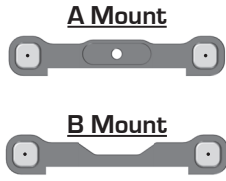
Tips for Beginners:

Before making any changes to the standard setup, make sure you can get around the track without crashing. Changes to your vehicle will not be beneficial if you can't stay on the track. Your goal is consistent laps. Once you can get around the track consistently, start tuning your vehicle. Make only ONE adjustment at a time, testing it before making another change. If the result of your adjustment is a faster lap, mark the change on the included setup sheet (make additional copies of the sheet before writing on it). If your adjustment results in a slower lap, revert back to the previous setup and try another change. When you are satisfied with your vehicle, fill in the setup sheet thoroughly and file it away. Use this as a guide for future track days or conditions. Periodically check all moving suspension parts. Suspension components must be kept clean and move freely without binding to prevent poor and/or inconsistent handling.

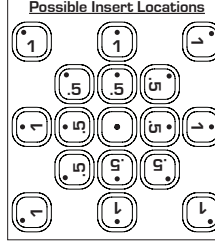
:: Tuning Tips - Front Arm Mount Pill Insert Setups

Standard Position

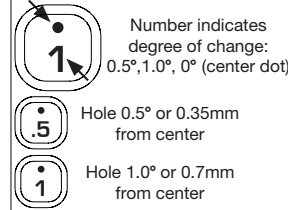
Use this position as a reference when changing pill locations.



Kick-up: 8°
Roll Center: +0
Pin Width: +0



Insert Hole Locations



The aluminum front arm mounts utilize eccentric pill inserts to make fine adjustments to kick-up, pin height, and pin width. Adjustments can be made using the supplied inserts (#92014)

Pin Width
More distance = wider pivot
Less distance = narrower pivot

A Mount	B Mount	
		= +1.4mm
		= +0.7mm
		= 0mm
		= -0.7mm
		= -1.4mm

Pin Height
Higher pin = Higher roll center
Lower Pin = Lower roll center

A Mount	B Mount	
		= +0.7mm
		= +0.35mm
		= 0mm
		= -0.35mm
		= -0.7mm

Kick Up
More angle = More kick up
Less angle = Less kick up

A Mount	B Mount	
		= 8°
		= 7°
		= 6°
		= 9°
		= 8°
		= 7°
		= 10°
		= 9°
		= 8°

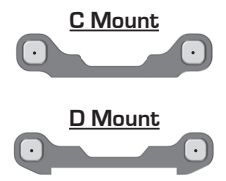
Total Caster Angle
Total caster angle is the sum of the kick up angle and the caster block angle.

Caster Block Angle	Kick Up Angle				
	6°	7°	8°	9°	10°
8°	14°	15°	16°	17°	18°
9°	15°	16°	17°	18°	19°
10°	16°	17°	18°	19°	20°

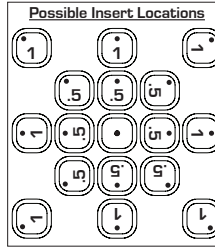
:: Tuning Tips - Rear Arm Mount Pill Insert Setups

Standard Position

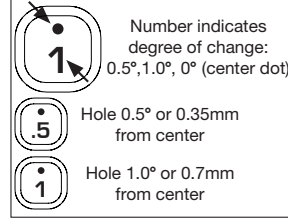
Use this position as a reference when changing pill locations.



Toe: 3°
Anti-Squat: 2°
Roll Center: +0
Pin Width: +0



Insert Hole Locations



The aluminum front arm mounts utilize eccentric pill inserts to make fine adjustments to kick-up, pin height, and pin width. Adjustments can be made using the supplied inserts (#92014)

Pin Width
More distance = wider pivot
Less distance = narrower pivot

C Mount	D Mount	
		= +1.4mm
		= +0.7mm
		= 0mm
		= -0.7mm
		= -1.4mm

Pin Height
Higher pin = Higher roll center
Lower Pin = Lower roll center

C Mount	D Mount	
		= +0.7mm
		= +0.35mm
		= 0mm
		= -0.35mm
		= -0.7mm

Anti-Squat Angle
More angle = More anti-squat
Less angle = Less anti-squat

C Mount	D Mount	
		= 2°
		= 1°
		= 0°
		= 3°
		= 2°
		= 1°
		= 4°
		= 3°
		= 2°

Toe Angle
More angle = More toe in
Less angle = Less toe in
Shown in 1° changes

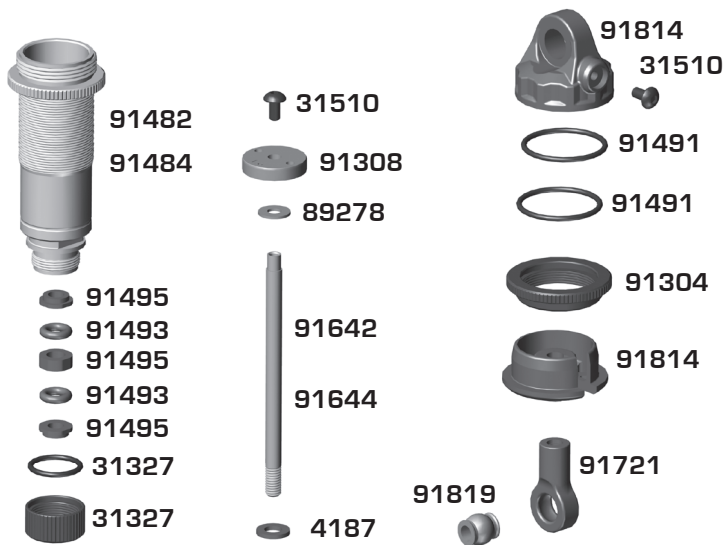
C Mount	D Mount	
		= 3°
		= 4°
		= 5°
		= 2°
		= 3°
		= 4°
		= 1°
		= 2°
		= 3°

:: Shocks

4187	Nylon Spacer, 1/32	12
31327	FT VCS3 Shock Bottom Caps	2
31510	M2x4mm BHCS	10
89278	M2.6x6mm Washer	20
91304	FT 12mm Threaded Collars	2
91308	12mm Shock Pistons (1.5, 1.6, 1.7)	4 ea.
91482	12x31mm V2 Shock Bodies	2
91484	12x24mm V2 Shock Bodies	2
91491	12mm V2 Shock Rebuild Kit	1
91642	3x24mm V2 Shock Shaft, TiN	2
91644	3x29mm V2 Shock Shaft, TiN	2
91721	B6 Shock Eyelets, Set	1
91814	B6.1 Shock Caps and Spring Cups Set	1
91819	B6.1 Shock Pivot Balls	4

:: FT Options - Shocks

91493	FT Low Friction X-Rings	4
91494	FT 12 mm Machined Shock Spacers, V2	1
91495	FT 12mm V2 X-Ring Rebuild Kit	1
91569	FT 12x24 mm FOX(R) Shock Bodies with Genuine Kashima Coat, V2, threaded	2
91578	FT 12x31mm FOX(R) Shock Bodies with Genuine Kashima Coat, V2, threaded	2
91621	FT 12mm Pistons, V2, 2x1.6, Thin	4
91622	FT 12mm Pistons, V2, 2x1.7, Thin	4
91643	FT 3x24mm V2 Shock Shaft, Chrome	2
91645	FT 3x29mm V2 Shock Shaft, Chrome	2



:: Springs

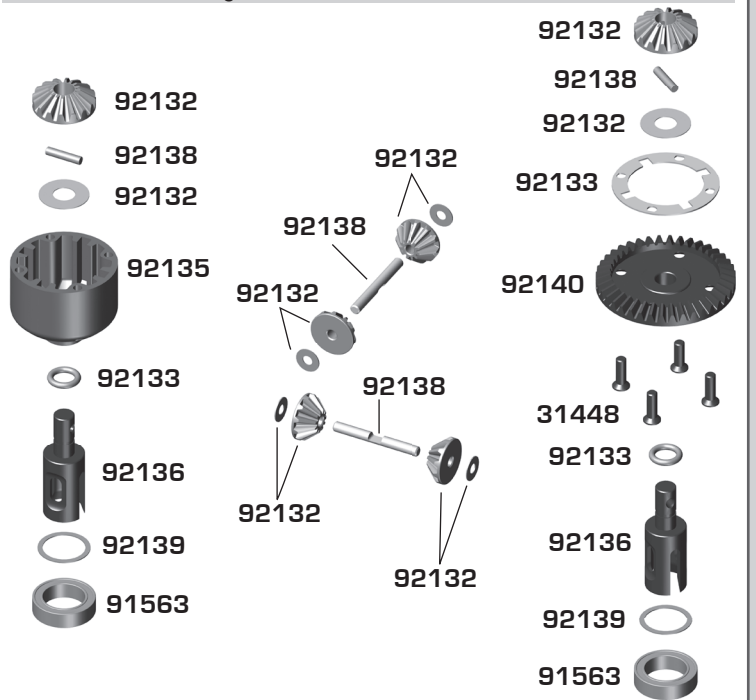
91830	Front Shock Springs, Green, 3.10 lb/in, L 44mm	2
91831	Front Shock Springs, White, 3.40 lb/in, L 44mm	2
91832	Front Shock Springs, Gray, 3.60 lb/in, L 44mm	2
91833	Front Shock Springs, Blue, 3.90 lb/in, L 44mm	2
91834	Front Shock Springs, Yellow, 4.30 lb/in, L 44mm	2
91835	Front Shock Springs, Red, 4.60 lb/in, L 44mm	2
91836	Front Shock Springs, Orange, 5.10 lb/in, L 44mm	2
91837	Rear Shock Springs, Green, 1.80 lb/in, L 61mm	2
91838	Rear Shock Springs, White, 1.90 lb/in, L 61mm	2
91839	Rear Shock Springs, Gray, 2.00 lb/in, L 61mm	2
91840	Rear Shock Springs, Blue, 2.20 lb/in, L 61mm	2
91841	Rear Shock Springs, Yellow, 2.30 lb/in, L 61mm	2



91834
91840

:: Differentials

31448	M2.5x8mm FHCS	2
91563	FT Bearings, 10x15x4mm	4
92132	B74 Diff Rebuild Kit	1
92133	B74 Diff Gasket and O-Rings Set	1
92134	B74 Diff Set (front, rear)	1
92135	B74 Diff Case (front, rear)	1
92136	B74 Diff Outdrive	2
92138	B74 Diff Cross Pin	2
92139	Diff Outdrive Shims Set	1
92140	B74 Diff Ring Gear	1



:: Shock Fluid

5420	10 Weight Silicone Shock Fluid	2oz.
5421	20 Weight Silicone Shock Fluid	2oz.
5422	30 Weight Silicone Shock Fluid	2oz.
5423	40 Weight Silicone Shock Fluid	2oz.
5424	22.5 Weight Silicone Shock Fluid	2oz.
5425	80 Weight Silicone Shock Fluid	2oz.
5426	27.5 Weight Silicone Shock Fluid	2oz.
5427	15 Weight Silicone Shock Fluid	2oz.
5428	25 Weight Silicone Shock Fluid	2oz.
5429	35 Weight Silicone Shock Fluid	2oz.
5430	45 Weight Silicone Shock Fluid	2oz.
5431	55 Weight Silicone Shock Fluid	2oz.
5432	32.5 Weight Silicone Shock Fluid	2oz.
5433	37.5 Weight Silicone Shock Fluid	2oz.
5434	42.5 Weight Silicone Shock Fluid	2oz.
5435	50 Weight Silicone Shock Fluid	2oz.
5436	60 Weight Silicone Shock Fluid	2oz.
5437	70 Weight Silicone Shock Fluid	2oz.
5438	47.5 Weight Silicone Shock Fluid	2oz.



:: Differential Fluid

5450	Silicone Diff Fluid 1,000CST	2oz.
5451	Silicone Diff Fluid 2,000CST	2oz.
5452	Silicone Diff Fluid 3,000CST	2oz.
5444	Silicone Diff Fluid 4,000CST	2oz.
5453	Silicone Diff Fluid 5,000CST	2oz.
5446	Silicone Diff Fluid 6,000CST	2oz.
5454	Silicone Diff Fluid 7,000CST	2oz.
5455	Silicone Diff Fluid 10,000CST	2oz.
5447	Silicone Diff Fluid 15,000CST	2oz.
5456	Silicone Diff Fluid 20,000CST	2oz.
5457	Silicone Diff Fluid 30,000CST	2oz.
5458	Silicone Diff Fluid 60,000CST	2oz.
5448	Silicone Diff Fluid 80,000CST	2oz.
5459	Silicone Diff Fluid 100,000CST	2oz.
5461	Silicone Diff Fluid 200,000CST	2oz.
5463	Silicone Diff Fluid 500,000CST	2oz.
5465	Silicone Diff Fluid 1,000,000CST	2oz.



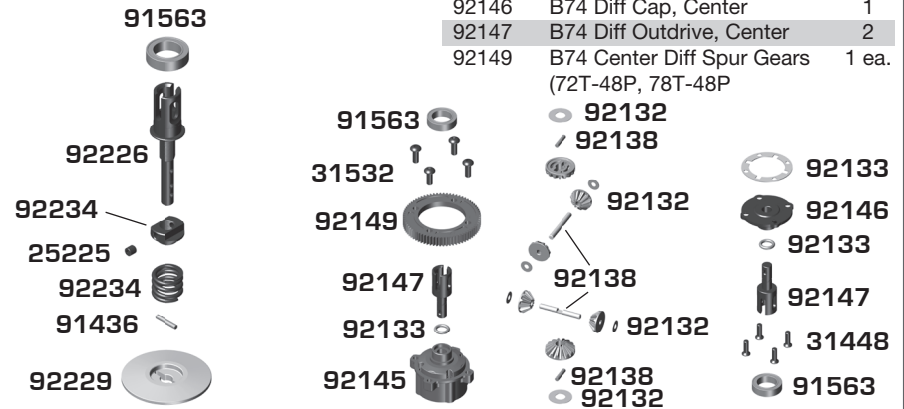
:: Slipper

9611	Slipper Pads, V2	2
25225	M3x3mm Set Screw	10
91436	CVA/Wheel Hex Pins	4
91563	FT Bearings, 10x15x4mm	4
91809	B6.1 Spur Gear, 72T 48P	1
91810	B6.1 Spur Gear, 75T 48P	1
91811	B6.1 Spur Gear, 78T 48P	1
92226	B74 Slipper Shaft	1
92229	B74 Slipper Hubs	1 ea.
92234	B74 Slipper Spring & Nut	1 ea.



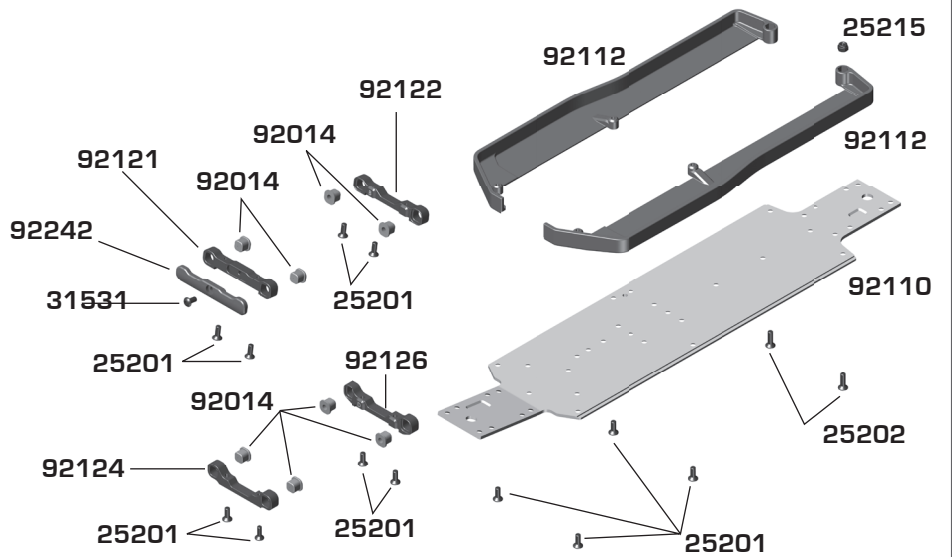
:: FT Options - Center Diff

91536	FT Bearings, 10x15x4mm	4
92132	B74 Diff Rebuild Kit	1
92133	B74 Diff Gasket & O-Rings Set	1
92138	B74 Diff Cross Pin	2
92144	FT B74 Diff Set, Center	1
92145	B74 Diff Case, Center	1
92146	B74 Diff Cap, Center	1
92147	B74 Diff Outdrive, Center	2
92149	B74 Center Diff Spur Gears	1 ea. (72T-48P, 78T-48P)



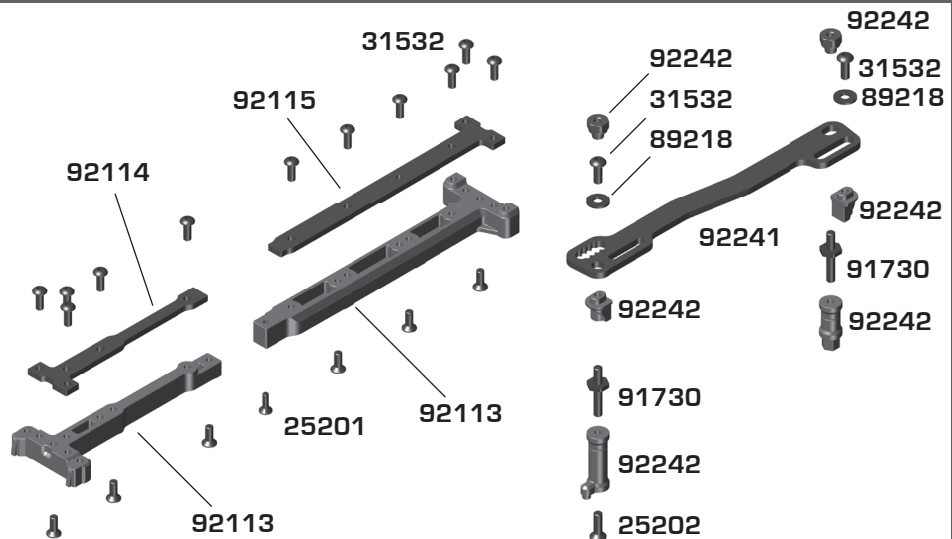
:: Chassis and Arm Mounts

25201	M3 x 8mm FHCS	10
25202	M3 x 10mm FHCS	10
25215	M3 Locknuts	10
31531	M3 x 6mm BHCs	10
92014	Arm Mount Inserts Set	1
92110	B74 Chassis	1
92112	B74 Side Guards	Pr.
92121	B74 Arm Mount, A	1
92122	B74 Arm Mount, B	1
92124	B74 Arm Mount, C	1
92126	B74 Arm Mount, D	1
92242	B74 Bumper & Post Set	1



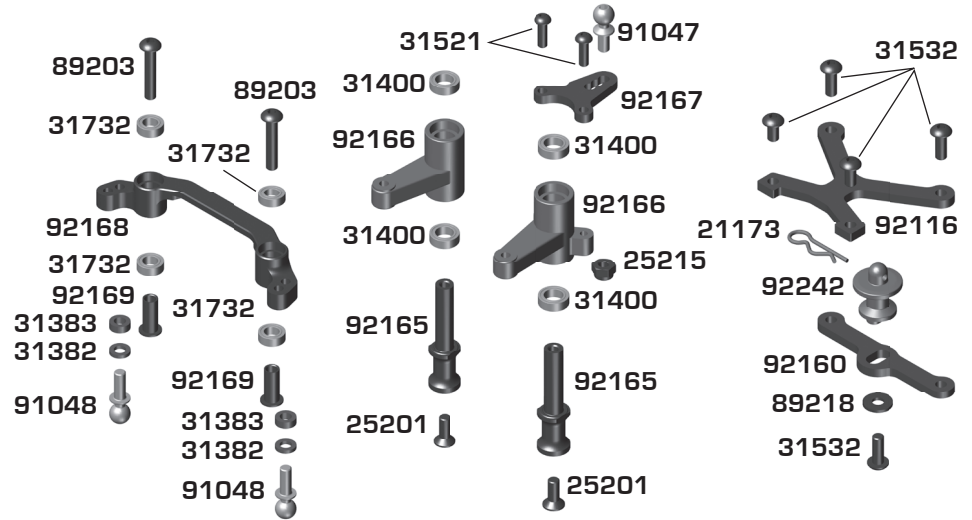
:: Chassis Braces and Battery Brace

25201	M3 x 8mm FHCS	10
25202	M3 x 10mm FHCS	10
31532	M3 x 8mm BHCS	10
89218	M3 x 8mm Washer	10
91730	B6 Battery Tray Shoulder Screw	2
92113	B74 Chassis Brace, (front & rear)	Pr.
92114	B74 Chassis Brace Support, front	1
92115	B74 Chassis Brace Support, rear	1
92241	B74 Battery Strap	1
92242	B74 Bumper & Post Set	1



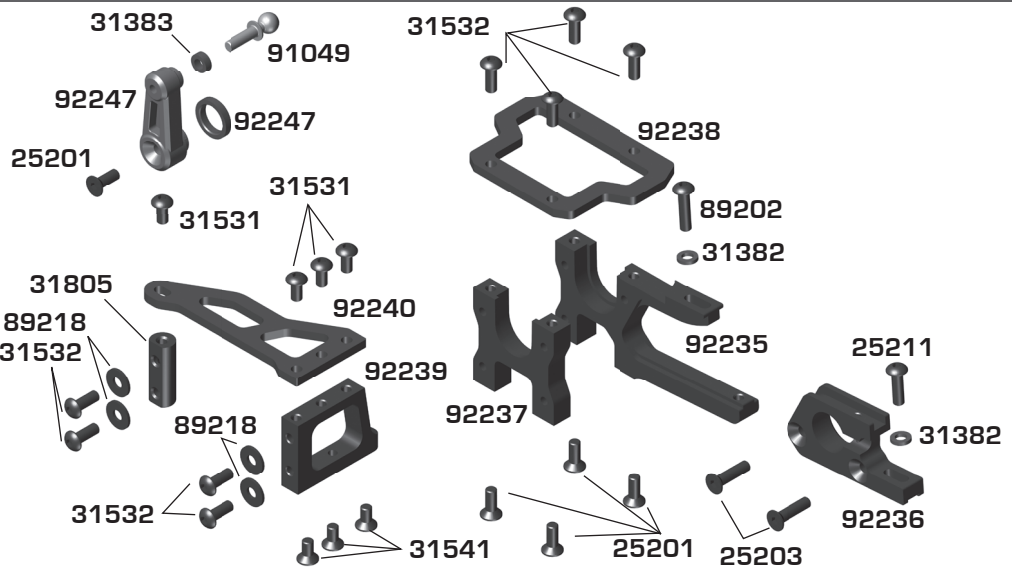
:: Steering

21173	Body Clips	10
25201	M3 x 8mm FHCS	10
25215	M3 Locknuts	10
31382	5.5 x 1mm Ballstud Washer	10
31383	5.5 x 2mm Ballstud Washer	10
31400	5x8x2.5mm Bearings	4
31521	M2.5x8mm BHCS	10
31531	M3x6mm BHCS	10
31532	M3x8mm BHCS	10
31732	4x7x2.5mm Bearings	4
89203	M3x16mm BHCS	10
89218	M3 x 8mm Washer	10
91047	6mm Heavy-duty Ballstuds	10
91048	8mm Heavy-duty Ballstuds	10
92116	B74 Top Plate	1
92160	B74 Body Post Set	1
92165	B74 Steering Bellcrank Post	2
92166	B74 Steering Bellcrank	1 ea.
92167	B74 Steering Bellcrank Input Arm	1
92168	B74 Steering Rack	1
92169	B74 Steering Rack Hat Bushing	2
92242	B74 Bumper & Post Set	1



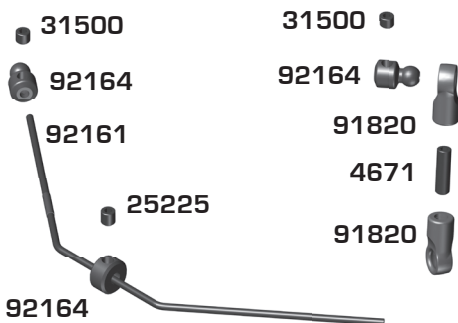
:: Center Bulkhead and Servo Mount

25201	M3 x 8mm FHCS	10
25203	M3 x 12mm FHCS	10
25211	M3 x 10mm BHCS	10
31382	5.5 x 1mm Ballstud Washer	10
31383	5.5 x 2mm Ballstud Washer	10
31531	M3x6mm BHCS	10
31532	M3x8mm BHCS	10
31541	M3x6mm FHCS	10
31805	TC7.2 Outer Servo Mount, Black	1
89202	M3x12mm BHCS	10
89218	M3 x 8mm Washer	10
91049	10mm Heavy-duty Ballstuds	10
92235	B74 Motor Mount	1
92236	B74 Motor Mount Slide	1
92237	B74 Center Bulkhead	1
92238	B74 Center Bulkhead Brace	1
92239	B74 Servo Mount	1
92240	B74 Servo Mount Brace	1
92247	Servo Horns	1



:: Anti-Roll Bars

4671	M3x10mm Set Screw	10
25225	M3x3mm Set Screw	10
31500	M3x2.5mm Set Screw	10
91820	B6.1 Ball Ends Set	1
92161	B74 Anti-Roll Bar Set	1
92164	B74 Anti-Roll Bar Collet	2



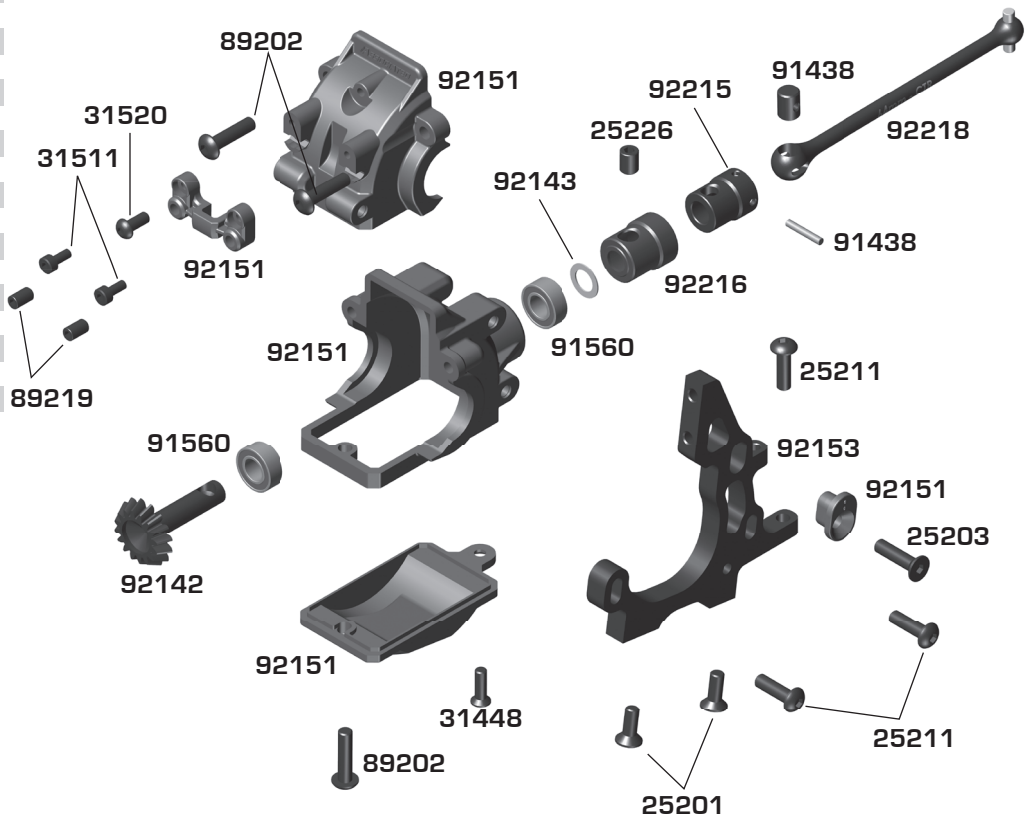
:: Pinions

1335	17T 48P Aluminum Pinion Gear	1
1336	18T 48P Aluminum Pinion Gear	1
1337	19T 48P Aluminum Pinion Gear	1
1338	20T 48P Aluminum Pinion Gear	1
1339	21T 48P Aluminum Pinion Gear	1
1340	22T 48P Aluminum Pinion Gear	1
1341	23T 48P Aluminum Pinion Gear	1
1342	24T 48P Aluminum Pinion Gear	1
1343	25T 48P Aluminum Pinion Gear	1
1344	26T 48P Aluminum Pinion Gear	1
1345	27T 48P Aluminum Pinion Gear	1
1346	28T 48P Aluminum Pinion Gear	1
1347	29T 48P Aluminum Pinion Gear	1
1348	30T 48P Aluminum Pinion Gear	1
1349	31T 48P Aluminum Pinion Gear	1
1350	32T 48P Aluminum Pinion Gear	1
1351	33T 48P Aluminum Pinion Gear	1
1352	34T 48P Aluminum Pinion Gear	1
1353	35T 48P Aluminum Pinion Gear	1
25225	M3 x 3mm Set Screw	20



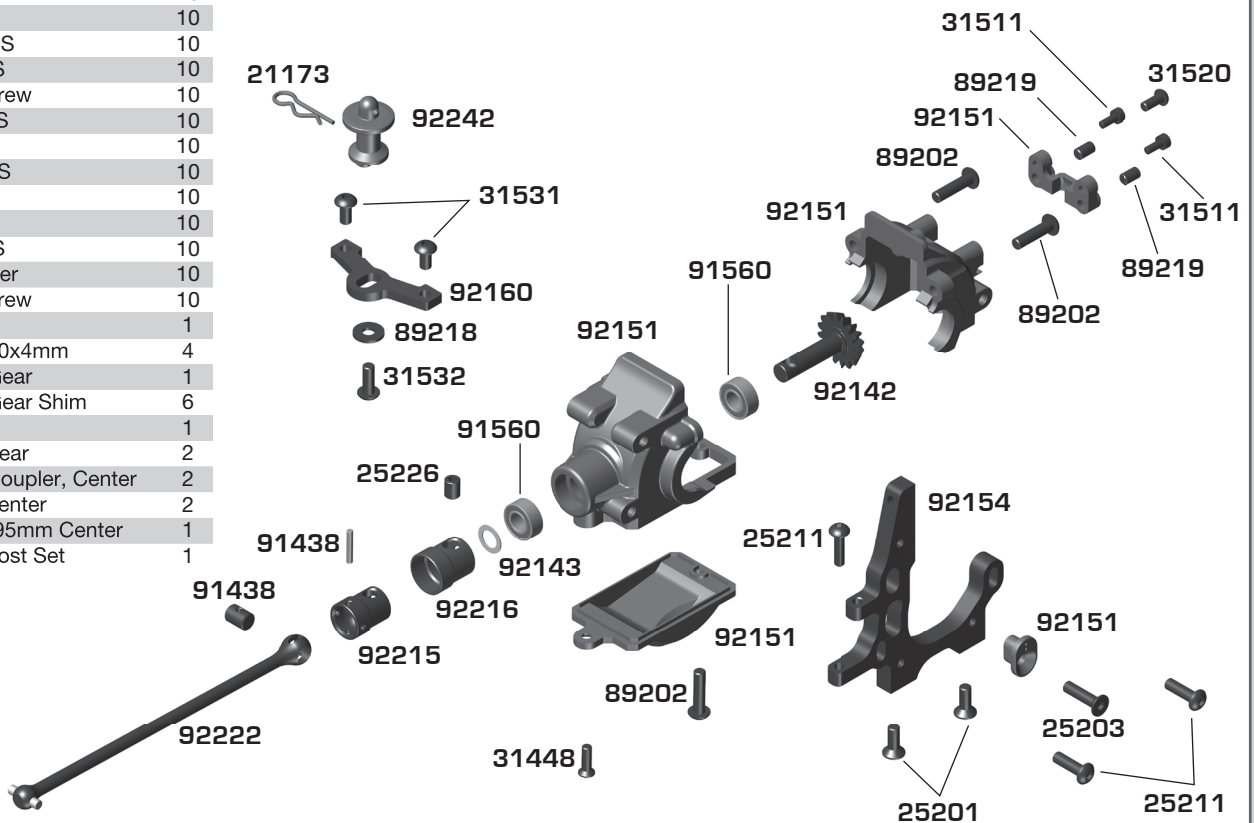
Front Gearbox

25201	M3 x 8mm FHCS	10
25203	M3 x 12mm FHCS	10
25211	M3x10mm BHCS	10
25226	M4x5mm Set Screw	10
31448	M2.5x8mm FHCS	10
31511	M2x5mm SHCS	10
31520	M2.5x6mm BHCS	10
89202	M3x10mm BHCS	10
89219	M3x5mm Set Screw	10
91438	CVA Rebuild Kit	1
91560	FT bearings, 5x10x4mm	4
92142	B74 Diff Pinion Gear	1
92143	B74 Diff Pinion Gear Shim	6
92151	B74 Gearbox	1
92153	B74 Bulkhead, Front	2
92215	B74 CVA Input Coupler, Center	2
92216	B74 CVA Cup, Center	2
92218	B74 CVA Bone, 64mm Center	1



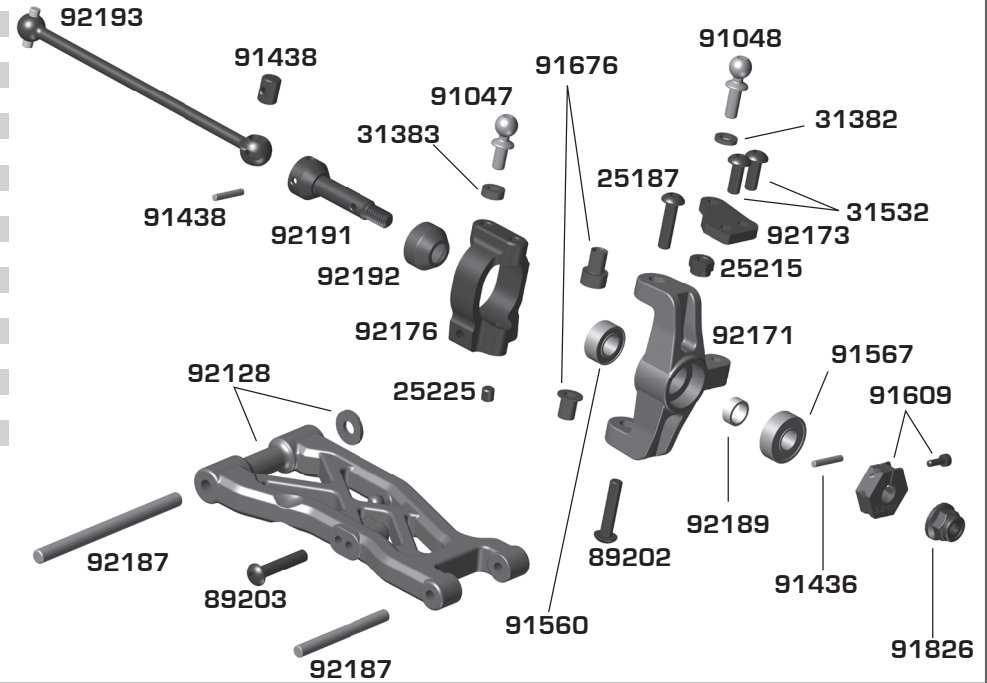
Rear Gearbox

21173	Body Clips	10
25201	3 x 8mm FHCS	10
25203	M3 x 12mm FHCS	10
25211	M3x10mm BHCS	10
25226	M4x5mm Set Screw	10
31448	M2.5x8mm FHCS	10
31511	M2x5mm SHCS	10
31520	M2.5x6mm BHCS	10
31531	M3x6mm BHCS	10
31532	M3x8mm BHCS	10
89202	M3x10mm BHCS	10
89218	M3 x 8mm Washer	10
89219	M3x5mm Set Screw	10
91438	CVA Rebuild Kit	1
91560	FT bearings, 5x10x4mm	4
92142	B74 Diff Pinion Gear	1
92143	B74 Diff Pinion Gear Shim	6
92151	B74 Gearbox	1
92154	B74 Bulkhead, Rear	2
92215	B74 CVA Input Coupler, Center	2
92216	B74 CVA Cup, Center	2
92222	B74 CVA Bone, 95mm Center	1
92242	B74 Bumper & Post Set	1



:: Front Suspension

25187	M3x14mm BHCS	10
25215	M3 Locknut	10
25225	M3x3mm Set Screw	10
31382	5.5 x 1mm Ballstud Washer	10
31383	5.5 x 2mm Ballstud Washer	10
31532	M3x8mm BHCS	10
89202	M3x10mm BHCS	10
89203	M3x16mm BHCS	10
91047	6mm Heavy-duty Ballstuds	10
91048	8mm Heavy-duty Ballstuds	10
91436	CVA/Wheel Hex Pin	4
91438	CVA Rebuild Kit	1
91560	FT bearings, 5x10x4mm	4
91567	FT Bearings, 5x12x4mm	4
91609	FT Clamping Wheel Hexes, 5.0mm	2
91676	B6 Caster Hat Bushings Set	1
91826	M4 Serrated Wheel Nuts, Silver	10
92128	B74 Suspension Arm, Front	Pr.
92171	B74 Steering Block	Pr.
92173	B74 Steering Block Arm	2
92176	B74 Caster Block, 9 degree	Pr.
92187	B74 Hinge Pin Set	1
92189	B74 Axle Crush Tube, Front	2
92190	B74 CVA Set, Front	1
92191	B74 CVA Axle, Front	2
92192	B74 CVA Cup, Front	2
92193	B74 CVA Bone, 74mm	2

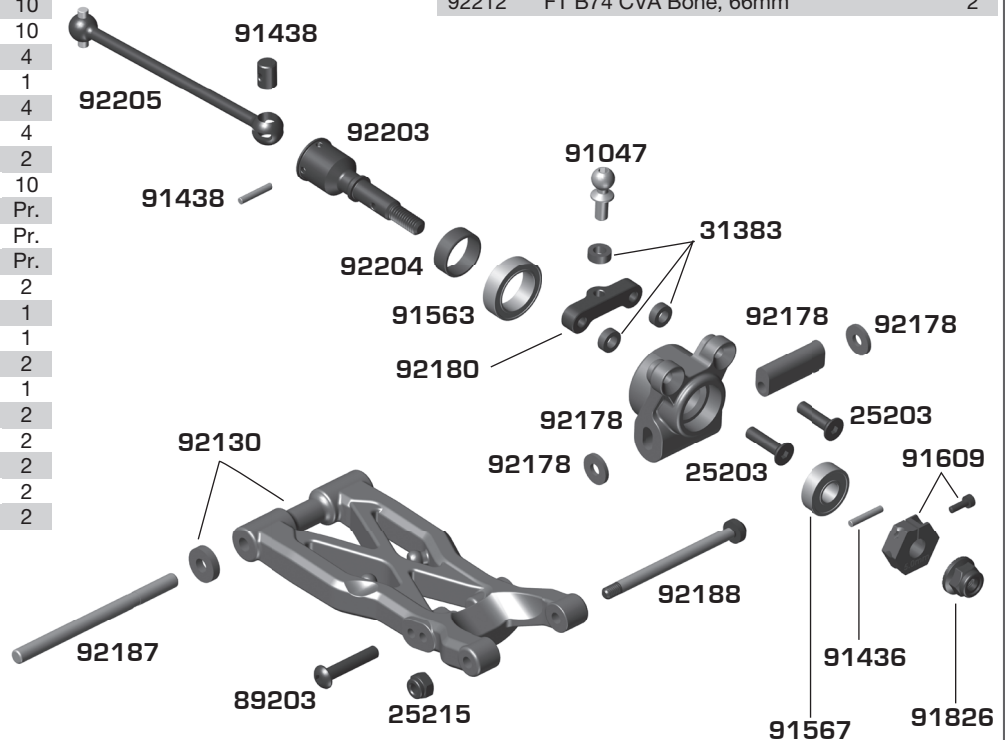


:: FT Options - Front Suspension

31633	FT DCV Rebuild Kit	1
31636	FT DCV Coupler Tubes	2
92129	FT B74 Suspension Arm, Front, HARD	Pr.
92175	FT B74 Caster Block, 8 degree	Pr.
92177	FT B74 Caster Block, 10 degree	Pr.
92197	B74 DCV Set, Front	1
92198	B74 DCV Axle, Front	2
92201	B74 DCV Bone, 70.5mm	2

:: Rear Suspension

25203	M3 x 12mm FHCS	10
25215	M3 Locknut	10
31383	5.5 x 2mm Ballstud Washer	10
89203	M3x16mm BHCS	10
91047	6mm Heavy-duty Ballstuds	10
91436	CVA/Wheel Hex Pin	4
91438	CVA Rebuild Kit	1
91563	FT bearings, 10x15x4mm	4
91567	FT Bearings, 5x12x4mm	4
91609	FT Clamping Wheel Hexes, 5.0mm	2
91826	M4 Serrated Wheel Nuts, Silver	10
92130	B74 Suspension Arm, Rear	Pr.
92131	B74 Suspension Arm, Rear, HARD	Pr.
92178	B74 Rear Hub	Pr.
92180	B74 Rear Hub Link Mount	2
92185	FT B74 Graphite Rear Hub Link Shim Set	1
92187	B74 Hinge Pin Set	1
92188	B74 Rear Hub Hinge Pin	2
92022	B74 CVA Set, Rear	1
92203	B74 CVA Axle, Rear	2
92204	B74 CVA Cup, Rear	2
92205	B74 CVA Bone, 62mm	2
92207	FT B74 CVA Axle, Rear - 66mm	2
92212	FT B74 CVA Bone, 66mm	2



:: FT Options - Front Suspension

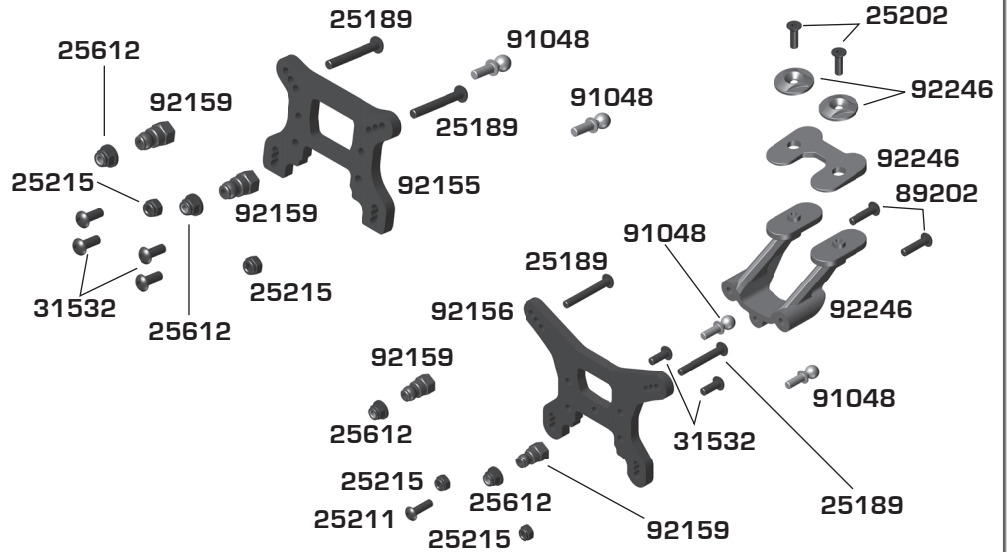
92131	B74 Suspension Arm, Rear, HARD	Pr.
92185	FT B74 Graphite Rear Hub Link Shim Set	1
92207	FT B74 CVA Axle, Rear - 66mm	2
92212	FT B74 CVA Bone, 66mm	2

:: Front / Rear Shock Tower

25189	M3x22mm BHCS	10
25202	M3x10mm FHCS	10
25211	M3x10mm BHCS	10
25215	M3 Locknut	10
25612	M3 Locknut, Flanged, Black	10
31532	M3x8mm BHCS	10
89202	M3x10mm BHCS	10
91048	8mm Heavy-duty Ballstuds	10
92155	B74 Shock Tower, Front	1
92156	B74 Shock Tower, Rear	1
92159	B74 Shock Bushing, 10mm	4
92246	B74 Wing Mount, Rear	1

:: FT Options - Rear Shock Tower

92100	FT Aluminum Wing Buttons	2
-------	--------------------------	---

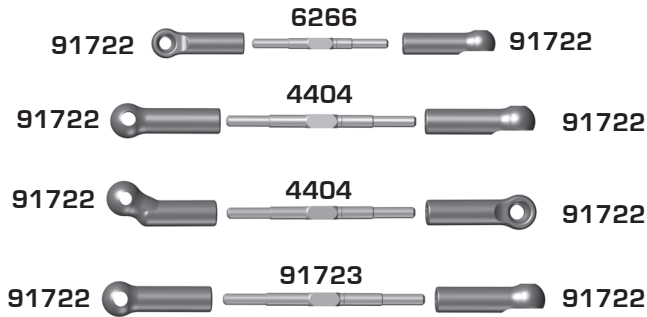


:: Turnbuckle Links

4404	3x45mm Turnbuckle, Silver	2
6266	3x38mm Turnbuckle, Silver	2
91722	B6 Ballcaps Set	1
91723	3x48mm Turnbuckle, Silver	2

:: FT Options - Turnbuckle Links

1404	FT Titanium Turnbuckles, 45 mm, Silver	2
1405	FT Titanium Turnbuckles, 48 mm, Silver	2
1413	FT Titanium Turnbuckles, 38 mm, Silver	2



:: Body and Decals

21173	Body Clips	10
91741	B6 Wing	1
91743	Adhesive Hook and Loop	1
92109	B74 Decal Sheet	1
92250	B74 Body	1
92251	B74 Body, Lightweight	1
92252	B74 Front Scoop	1

:: MyLaps Transponders

MLP10R120	MyLaps RC4 (3-wire) Transponder	1
MLP10R147	MyLaps RC4 (3-wire) Pro Transponder, Black	1
MLP40R222	MyLaps Transponder Holder	1

:: Wheels

9695	Buggy Rear Wheel Hex, White	2
9696	Buggy Rear Wheel Hex, Yellow	2
91570	61mm Buggy Rear Wheel, White	2
91571	61mm Buggy Rear Wheel, Yellow	2
91574	61mm 4WD Buggy Front Wheel, White	2
91575	61mm 4WD Buggy Front Wheel, Yellow	2
92095	12 mm 4WD 2.2 in Front Wheels, White	2
92063	12 mm 4WD 2.2 in Front Wheels, Yellow	2

:: Apparel / Promotional

TEE SHIRTS

SP124*	AE 2017 Worlds Tee, Black (S, M, L, XL-5XL)	1
SP126*	Team Associated Tri T-Shirt, Black (S, M, L, XL-5XL)	1
SP140*	Reedy Heritage Tee, Black (S, M, L, XL-5XL)	1
SP200*	Element RC Logo Tee, Gray (S, M, L, XL-5XL)	1
SP201*	Element RC Rhombus Tee, Black (S, M, L, XL-5XL)	1

HOODIES/JACKETS

SP142*	Reedy W19 Hoodie - Black (S, M, L, XL-3XL)	1
SP230	Element RC Zip Up, Black (S, M, L, XL-5XL)	1
SP231	Element RC Hoodie, Black (S, M, L, XL-5XL)	1
SP250	Element RC Jacket, Black (S, M, L, XL-2XL)	1

HATS

SP20	AE Patch Trucker Hat	1
SP430	Reedy Trucker Hat 2018	1
SP260	Element RC Hat, Curved Bill, Black	1
SP261	Element RC Hat, Flat Bill, Black	1
SP262	Element RC Beanie, Black	1

BANNERS/MATS CARRIERS

SP29	Team Associated Countertop/Setup Mat	1
SP30	Team Associated Pit Mat	1
SP31	Reedy Countertop/Setup Mat	1
SP115	Reedy Circuit Cloth Banner	1
SP280	Element RC Counter Top Mat	1
SP281	Element RC Pit Mat	1
SP282	Element RC Pit Towel	1
SP425	FT Fluid Carrier	1
SP426	Team Associated Countertop / Setup Mat	1
SP427	Reedy Countertop / Setup Mat	1
110684	Team Associated Track Banner	1
110685	Team Associated Cloth Banner	1

** Use part number plus the desired size when ordering!

:: Factory Team and Option Parts

1364	FT Aluminum Servo Horn, 23T, 15.5mm	1
1366	FT Aluminum Servo Horn, 25T, 15.5mm	1
1369	FT Aluminum Clamping Servo Horn 23T, 15.5 mm	1
1370	FT Aluminum Clamping Servo Horn 25T, 15.5 mm	1
1404	FT Titanium Turnbuckles, 45 mm, Silver	2
1405	FT Titanium Turnbuckles, 48 mm, Silver	2
1413	FT Titanium Turnbuckles, 38 mm, Silver	2
31381	Aluminum Ballstud Washers, 5.5x0.5mm	10
31382	Aluminum Ballstud Washers, 5.5x1.0mm	10
31383	Aluminum Ballstud Washers, 5.5x2.0mm	10
31384	Bulkhead Washers, 7.8x0.5 mm, blue aluminum	10
31385	Bulkhead Washers, 7.8x1.0 mm, blue aluminum	10
31386	Bulkhead Washers, 7.8x2.0 mm, blue aluminum	10
31633	FT DCV Rebuild Kit	1
31636	FT DCV Coupler Tubes	2
71014	FT Clamping Wheel Hexes, 8.5mm	2
71034	FT Clamping Wheel Hexes, 6.0mm	2
91118	FT HD Ballstuds, 6mm TiN	2
91119	FT HD Ballstuds, 8mm TiN	2
91120	FT HD Ballstuds, 10mm TiN	2
91452	FT HD Ballstuds, 4mm TiN	2
91493	FT Low Friction X-Rings	4
91494	FT 12mm Machined Shock Spacers, V2	1
91495	FT 12mm V2 X-Ring Rebuild Kit	1
91569	FT 12x24 mm FOX(R) Shock Bodies with Genuine Kashima Coat, V2, threaded	2
91578	FT 12x31mm FOX(R) Shock Bodies with Genuine Kashima Coat, V2, threaded	2
91580	Titanium Screws, 3x6mm BHCS	4
91581	Titanium Screws, 3x8mm BHCS	4
91582	Titanium Screws, 3x10mm BHCS	4
91583	Titanium Screws, 3x12mm BHCS	4
91584	Titanium Screws, 3x14mm BHCS	4
91585	Titanium Screws, 3x16mm BHCS	4
91588	Titanium Screws, 3x22mm BHCS	4
91589	Titanium Screws, 3x24mm BHCS	4
91592	Titanium Screws, 3x8mm FHCS	4
91593	Titanium Screws, 3x10mm FHCS	4
91594	Titanium Screws, 3x12mm FHCS	4
91595	Titanium Screws, 3x14mm FHCS	4
91596	Titanium Screws, 3x16mm FHCS	4
91597	Titanium Screws, 3x18mm FHCS	4
91610	FT Clamping Wheel Hexes, 7.0mm	2
91620	3 x 27.5mm Shock Shaft (V2), Chrome	2
91621	FT 12mm Pistons, V2, 2x1.6, Thin	4
91622	FT 12mm Pistons, V2, 2x1.7, Thin	4
91625	FT 12mm Pistons V2, 2 x 1.5, flat	4
91626	FT 12mm Pistons (V2), 2x1.6 mm, flat	4
91627	FT 12mm Pistons V2, 2 x 1.7, flat	4
91628	FT 12mm Pistons (V2), 3x1.4 mm, flat	4
91630	FT 12mm Pistons (V2), Blank, flat	4
91631	FT 12mm Pistons (V2), 3x1.4 mm, tapered	4
91633	FT 12mm Pistons (V2), Blank, tapered	4
91643	FT 3x24mm V2 Shock Shaft, Chrome	2
91645	FT 3x29mm V2 Shock Shaft, Chrome	2
91750	HD Titanium Ball Stud, 4mm	2
91751	HD Titanium Ball Stud, 6mm	2
91752	HD Titanium Ball Stud, 8mm	2
91753	HD Titanium Ball Stud, 10mm	2
92076	B64 Gear Diff Rebuild, Plastic	1
92100	FT Wing Buttons, Aluminum, Black	2
92129	FT B74 Suspension Arm, Front, HARD	Pr.
92131	B74 Suspension Arm, Rear, HARD	Pr.
92144	B74 Diff Set, Center	1
92175	FT B74 Caster Block, 8 degree	Pr.
92177	FT B74 Caster Block, 10 degree	Pr.
92185	FT B74 Graphite Rear Hub Link Shim Set	1
92197	B74 DCV Set, Front	1
92198	B74 DCV Axle, Front	2
92201	B74 DCV Bone, 70.5mm	2
92207	FT B74 CVA Axle, Rear - 66mm	2
92212	FT B74 CVA Bone, 66mm	2

:: Tools

1111	FT Turnbuckle Wrench	1
1112	FT 4mm Turnbuckle Wrench	1
1113	12mm Big Bore Shock Tool	1
1114	FT Dual Turnbuckle Wrench	1
1449	Off Road Ride Height Gauge	1
1452	FT TC Ride Height Gauge	1
1498	FT Universal Tire Balancer	1
1499	FT Body Reamer	1
1500	FT 1.5mm Hex Driver	1
1501	FT 2.0mm Hex Driver	1
1502	FT 2.0mm Ball Hex Driver	1
1503	FT 2.5mm Hex Driver	1
1504	FT 2.5mm Ball Hex Driver	1
1505	FT 3.0mm Hex Driver	1
1506	FT 5.0mm Hex Driver	1
1507	FT 5.5mm Nut Driver	1
1508	FT 7.0mm Nut Driver	1
1510	FT 1.5mm Hex Replacement Tip	1
1511	FT 2.0mm Hex Replacement Tip	1
1512	FT 2.0mm Ball Replacement Tip	1
1513	FT 2.5mm Hex Replacement Tip	1
1514	FT 2.5mm Ball Replacement Tip	1
1515	FT 3.0mm Hex Replacement Tip	1
1518	FT HEX Driver Tool Set (3pcs)	1
1519	FT Hex/Nut Driver Tool Set (5pc)	1
1522	FT Digital Scale, 100/0.01g	1
1555	FT Clutch Gauge, 4 Shoe	1
1568	FT 5.5mm Short Nut Driver	1
1569	FT 7mm Nut Driver, T-Handle	1
1570	FT 5.5mm Short Nut Driver	1
1571	FT 1:8 Wheel Nut Wrench, 17mm Hex	1
1579	FT Ball Cup Wrench - (will not work on Enduro rod ends)	1
1595	Chassis Weights, 1/4 oz	1
1650	7 Piece Hex Driver Set	1
1657	FT 1/4" Hex Drive .050" Tip	1
1658	FT 1/4" Hex Drive 1/16" Tip	1
1659	FT 1/4" Hex Drive 5/64" - 2.0mm Tip	1
1660	FT 1/4" Hex Drive 3/32" Tip	1
1661	FT 1/4" Hex Drive 1.5mm Tip	1
1662	FT 1/4" Hex Drive 2.5mm Tip	1
1666	FT 1/4" Hex Drive 5.5mm Nut Driver Tip	1
1667	FT 1/4" Hex Drive 7.0mm Nut Driver Tip	1
1668	FT 1/4" Hex Drive 8.0mm Nut Driver Tip	1
1673	FT 1/4" Hex Drive 2.5mm Ball End Tip	1
1674	FT 1/4" 5 Piece Power Tool Tips Set (5/64-2.0mm, 1.5mm, 2.5mm, 5/64"- 2.0mm ball, 2.5mm ball)	1
1675	FT Shock Shaft Pliers	1
1679	FT T-Handle Ratchet Driver	1
1719	FT Camber + Track Width Tool	1
1737	FT Body Scissors	1
3718	12 Inch Nylon Wire Ties	12
3719	6 Inch Nylon Wire Ties	12
3720	8 Inch Nylon Wire Ties	12
3987	FT Droop Gauge	1
7709	4 Inch Nylon Wire Ties	12
89240	RC8 FT Turnbuckle Wrench	1

:: Lubes & Adhesives / Misc.

1105	FT Green Slime Shock Lube	1
1596	FT Locking Adhesive	1
1597	FT Tire Adhesive, medium	1
6588	Black Grease - 4cc	1
6591	S.Diff Lube - 4cc	1
6636	Silicone Grease - 4cc	1
6727	Servo Tape	2
726	Reedy 2016 Sticker Set	1
3840	2016 Team Associated Decal Sheet	1
9787	FT Chassis Protective Sheet	1



:: Reedy Competition Motors & Spare Parts

262	Sonic 540-M3 6.5	1
263	Sonic 540-M3 6.0	1
264	Sonic 540-M3 5.5	1
265	Sonic 540-M3 5.0	1
266	Sonic 540-M3 4.5	1
271	540-M3/S-Plus Spec Rotor 12.0 x 7.25 x 25.3	1
272	540-M3/S-Plus Spec Rotor 12.2 x 7.25 x 25.3	1
273	540-M3/S-Plus Spec Rotor 12.5 x 7.25 x 25.3	1
274	Sonic 540-M3 Mod Rotor 12.3 x 5.0 x 25.3	1
275	Sonic 540-M3 Mod Rotor 12.5 x 5.0 x 25.3	1
276	Sonic 540-M3 Mod Rotor 13.0 x 5.0 x 25.3	1
277	Sonic 540-M3 Stainless Steel Bearing Set	1
279	Sonic 540-M3 Sensor Assembly	1
280	Sonic 540-M3 Rotor Spacer Set	1
281	Sonic 540-M3 Case Screws w/Insulator	1
283	Sonic 540-M3 Motor Mounting Plate	1
286	540-M3/S-Plus Spec Rotor 12.3 x 7.25 x 25.3	1
293	Sonic 540 FT 17.5 Fixed Timing	1
294	Sonic 540 FT 13.5 Fixed Timing	1
295	Sonic 540-FT Spec Rotor 12.0 x 7.25 x 25.3	1
296	Sonic 540-M3 Mod Rotor 12.0 x 5.0 x 24.2	1
27402	S-Plus 17.5 Spec	1
27403	S-Plus 13.5 Spec	1
27404	S-Plus 10.5 Spec - Torque	1
27414	540-M3/S-Plus Spec Rotor 12.5 x 7.15 x 24.2	1
27417	S-Plus Screw Set	1
27418	540-M3/S-Plus Lightweight Sensor Board	1
27419	S-Plus Front Plate	1
27420	540-M3/S-Plus Aluminum Case Screw Set	1
27421	540-M3/S-Plus Aluminum Timing Screw Set	1
27429	S-Plus 17.5 Spec - Torque	1

:: Reedy Competition Motor Accessories

978	Flat Sensor Wire 70mm	1
979	Flat Sensor Wire 110mm	1
980	Flat Sensor Wire 150mm	1
981	Flat Sensor Wire 200mm	1
982	Flat Sensor Wire 270mm	1
994	Flat Sensor Wire 125mm	1
995	Flat Sensor Wire 175mm	1
27423	30mm Motor Fan w/195mm extension	1

:: Reedy ESC's

260C	Blackbox 1000Z+/540-M3 7.5 Combo	1
261C	Blackbox 1000Z+/540-M3 7.0 Combo	1
262C	Blackbox 1000Z+/540-M3 6.5 Combo	1
27002	Blackbox 800Z 2S Zero-Timing Competition ESC	1
27003	Blackbox 1000Z+ 2S Competition ESC	1
27004	Blackbox 510R Competition ESC	1
27005	Blackbox 510R Competition ESC w/PROgrammer2	1
27006	Blackbox 600Z 2S Zero-Timing Competition ESC	1
27024	Blackbox Pro Capacitor Unit	1
27026	Blackbox 1000Z+ Fan w/Screws	1
27027	Blackbox PROgrammer2	1
27028	Blackbox 30x30x7mm Fan w/screws	1
27029	Blackbox Pro Modified Capacitor Unit	1
27030	Blackbox ESC/Programmer2 Connection Wire	1
27031	Blackbox 510R 30x30x10mm Fan w/screws	1
27033	Blackbox 1000Z+ Pro Competition ESC	1

:: Reedy Batteries

302	AA Alkaline 1.5V (4)	1
27313	LiPo Pro TX/RX 2400mAh 7.4V Flat	1
27315	LiFe Pro TX/RX 1600mAh 6.6V Flat	1
27318	Wolfpack HV LiPo 50C 4200mAh 7.6V Shorty	1
27319	Wolfpack HV LiPo 50C 3300mAh 7.6V LP Shorty	1
27335	Zappers SG2 4800mAh 7.6V 110C Shorty 37Wh 205g	1
27336	Zappers SG2 5800mAh 7.6V 80C Shorty 45Wh 220g	1
27337	Zappers SG2 3600mAh 7.6V 110C LCG Shorty 28Wh 155g	1
27338	Zappers SG2 4100mAh 7.6V 80C LCG Shorty 32Wh 152g	1

:: Reedy Chargers

27200	1216-C2 Dual AC/DC Competition Battery Charger	1
27200CN	1216-C2 Dual AC/DC Comp. Battery Charger - CHN Plug	1
27200EU	1216-C2 Dual AC/DC Comp. Battery Charger - EURO Plug	1
27200UK	1216-C2 Dual AC/DC Comp. Battery Charger - UK Plug	1

:: Reedy Charger Accessories

996	5.0mm 1S-2S Balance Charge lead w/SP Clip (4mm)	1
997	4.0mm 1S-2S Balance Charge lead w/SP Clip (4mm)	1
27220	7-in-1 Universal Charge Lead (4mm)	1
27222	XH 2-6S Balance Board (4mm)	1
27223	RX Charger Lead FUT (4mm)	1
27224	US to IEC 320 C5 angle 1M AC Power Cord	1
27225	US to IEC 320 C5 angle .5M AC Power Cord	1
27226	EU to IEC 320 C5 angle 1M AC Power Cord	1
27227	UK to IEC 320 C5 angle 1M AC Power Cord	1
27228	AU to IEC 320 C5 angle 1M AC Power Cord	1
27229	CN to IEC 320 C5 angle 1M AC Power Cord	1

:: Reedy Servos & Accessories

27100	RS1206 Digital HV Hi-Speed Competition Servo	1
27101	RT1508 Digital HV Hi-Torque Competition Servo	1
27102	RS1206 Servo Case Set w/screws	1
27103	RS1206 Servo Gear Set	1
27104	RT1508 Servo Case Set w/screws	1
27105	RT1508 Servo Gear Set	1
27112	RS1306 Digital HV Low-Profile Brushless Competition Servo	1
27113	RT1709 Digital HV Low-Profile Brushless Competition Servo	1
27114	RT2406 Digital HV Brushless Competition Servo	1
27115	RT2706A Digital HV Aluminum Brushless Competition Servo	1
27122	Reedy Aluminum Servo Horn (25)	1
27123	Reedy Aluminum Clamping Servo Horn (25)	1
27133	RS1306 Gear Set	1
27134	RT1709 Gear Set	1
27135	RT2406 Gear Set	1
27136	RT2706A Gear Set	1
27137	RS1306 Case Set	1
27138	RT1709 Case Set	1
27139	RT2406 Case Set	1

:: Reedy Accessories

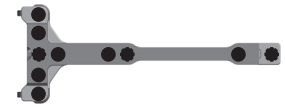
643	Low Profile Bullet Plug 4mm x 14mm (2)	1
644	Low Profile Bullet Plug 4mm x 14mm (10)	1
645	Low Profile Bullet Plug 5mm x 14mm (2)	1
646	Low Profile Bullet Plug 5mm x 14mm (10)	1
647	Silicone Wire 12AWG-Black (1m)	1
648	Silicone Wire 14AWG-Black (1m)	1
650	Shrink Tubing - 15pcs 4.5mm x 20mm	1
654	4.0mm Bullet Plugs (2M, 2F)	1
655	4.0mm Bullet Plugs (2M, 10F)	1
656	4.0mm Bullet Plugs (10F)	1
658	4.0mm Bullet Plugs (10M)	1
659	4.0mm Bullet Plugs (30M)	1
747	Silicone Wire 12AWG-Black (30m)	1
748	Silicone Wire 14AWG-Black (30m)	1
790	Silicone Wire 13AWG-Black (1m)	1
791	Silicone Wire 13AWG-Black (30m)	1
792	Low Profile Caged Bullet Plug 4mm x 14mm (2)	1
793	Low Profile Caged Bullet Plug 4mm x 14mm (10)	1
794	Low Profile Caged Bullet Plug 5mm x 14mm (2)	1
795	Low Profile Caged Bullet Plug 5mm x 14mm (10)	1
27304	LiPo Battery Weight Set - Shorty	1

Front Suspension:

Ride Height: 19mm Dirt / 14mm Carpet
 Camber: -1 degree
 Toe: 0
 Anti-Roll Bar: 1.3mm Dirt / 1.7mm Carpet
 Arm Type: Kit
 Wheelbase Shim: Back
 Wheel Hex: 5.0mm
 Caster Block: 8° 9° 10°
 Chassis Brace: Plastic Carbon
 Top Plate Brace: Yes No
 Front Axles: CVA DCV
 Notes: _____



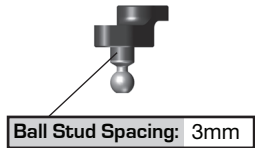
Front Chassis Brace Screws:



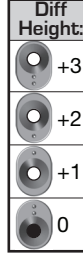
Arm Mount A: 1° 0.5°



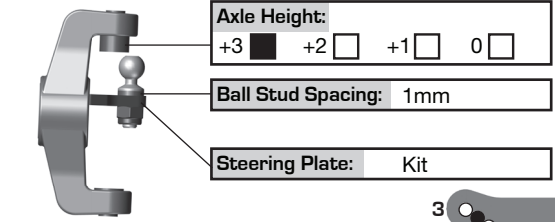
Arm Mount B: 1° 0.5°



Ball Stud Spacing: 3mm



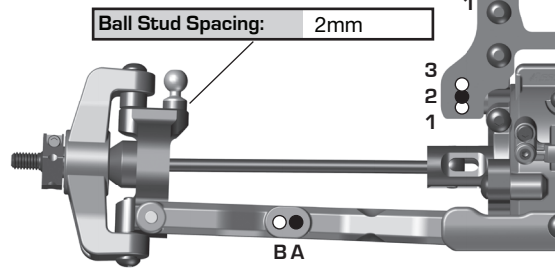
Diff Height:



Axle Height: +3 +2 +1 0

Ball Stud Spacing: 1mm

Steering Plate: Kit



Ball Stud Spacing: 2mm

BA

Rear Suspension:

Ride Height: 19mm Dirt / 14mm Carpet
 Camber: -1 degree
 Anti-Roll Bar: 1.2mm Dirt / 1.6mm Carpet
 Arm Type: Kit
 Wheelbase Shim: Forward
 Wheel Hex: 5.0mm
 CVA Bone Length: 62mm
 Chassis Brace: Plastic Carbon
 Hub Spacing: Fwd Mid Back
 Notes: _____

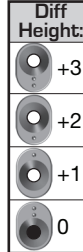
Rear Chassis Brace Screws:



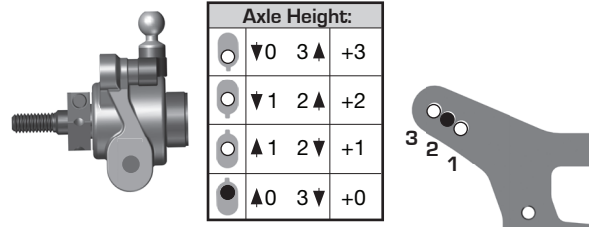
Arm Mount C: 1° 0.5°



Arm Mount D: 1° 0.5°



Diff Height:



Axle Height:	
▼0 3▲	+3
▼1 2▲	+2
▲1 2▼	+1
▲0 3▼	+0

Camber Link Spacing: 2mm

Ball Stud Spacing: 2mm

CBA

Electronics:

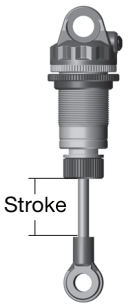
Radio: _____ Servo: _____
 EPA: Throttle: % Brake: %
 ESC: _____
 ESC Settings: _____
 Motor: _____
 Wind: _____ Timing: _____
 Pinion: _____ Spur: _____
 Battery: _____
 Battery Position: 1 2 3 4

Differential:

Front Fluid: 10k Mass: 45.5g
 Gears: Plastic Metal
 Center Fluid: _____ Mass: _____
 Gears: Plastic Metal
 Rear Fluid: 10k Mass: 46.5g
 Gears: Plastic Metal
 Slipper Clutch:
 Setting: 1.8mm
 Pads: 3 pads

Shocks:

	Front	Rear
Piston:	1.6 x 2	1.7 x 2
Fluid:	35wt D / 50wt C	35 wt
Spring:	Yellow	Blue
Limiters:	1	1
Stroke:	24mm	29mm
Eyelet Length:	Long	Long
Cup Offset:	5mm	5mm
Notes:		



Track Info:

Size: Small Medium Large Extra Large
 Surface: Dirt Carpet AstroTurf Multi Surface
 Traction: Low Medium High Very High
 Moisture: Dry Damp Wet
 Condition: Indoor Outdoor Dusty Hard Packed
 Bumpy Grooved Smooth Loamy
 Temperature: Ambient: _____ Track: _____
 Notes: _____

Tires:

Front Tires: _____
 Front Compound: _____
 Front Insert: _____
 Rear Tires: _____
 Rear Compound: _____
 Rear Insert: _____
 Wheel (F/R): _____
 Notes: _____

Body, Wing, Weight:

Body: Light Weight
 Wing: Kit
 Front Wing: Yes No
 Wing Angle: 0° 6°
 Weights: _____
 Total Vehicle Weight: _____

Vehicle Comments:

Notes: _____

Front Suspension:

Ride Height: _____
 Camber: _____
 Toe: _____
 Anti-Roll Bar: _____
 Arm Type: _____
 Wheelbase Shim: _____
 Wheel Hex: _____
 Caster Block: 8° 9° 10°
 Chassis Brace: Plastic Carbon
 Top Plate Brace: Yes No
 Front Axles: CVA DCV
 Notes: _____



Front Chassis Brace Screws: _____

Ball Stud Spacing: _____



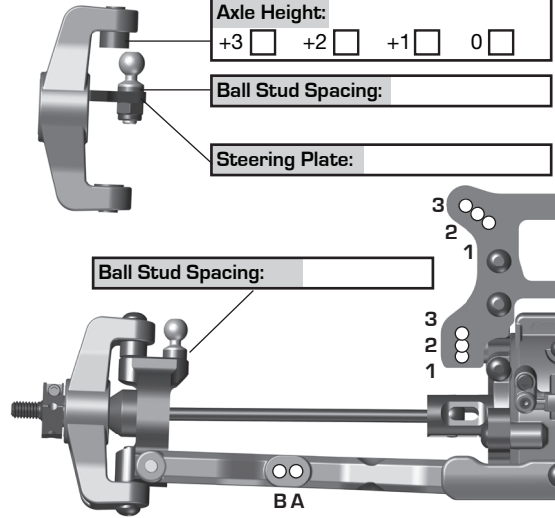
Arm Mount A: 1° 0.5°



Arm Mount B: 1° 0.5°



Diff Height:
 +3
 +2
 +1
 0



Axle Height:
 +3 +2 +1 0

Ball Stud Spacing: _____

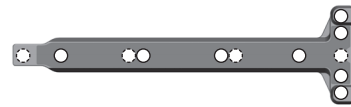
Steering Plate: _____

Ball Stud Spacing: _____

Rear Suspension:

Ride Height: _____
 Camber: _____
 Anti-Roll Bar: _____
 Arm Type: _____
 Wheelbase Shim: _____
 Wheel Hex: _____
 CVA Bone Length: _____
 Chassis Brace: Plastic Carbon
 Hub Spacing: Fwd Mid Back
 Notes: _____

Rear Chassis Brace Screws: _____



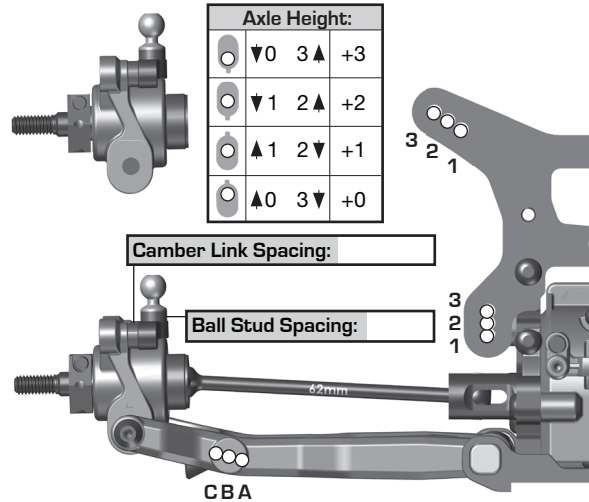
Arm Mount C: 1° 0.5°



Arm Mount D: 1° 0.5°



Diff Height:
 +3
 +2
 +1
 0



Axle Height:
 ▼0 3▲ +3
 ▼1 2▲ +2
 ▲1 2▼ +1
 ▲0 3▼ +0

Camber Link Spacing: _____

Ball Stud Spacing: _____

Electronics:

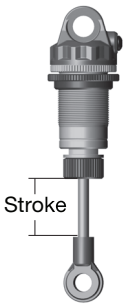
Radio: _____ Servo: _____
 EPA: Throttle: _____ % Brake: _____ %
 ESC: _____
 ESC Settings: _____
 Motor: _____
 Wind: _____ Timing: _____
 Pinion: _____ Spur: _____
 Battery: _____
 Battery Position: 1 2 3 4

Differential:

Front Fluid: _____ Mass: _____
 Gears: Plastic Metal
 Center Fluid: _____ Mass: _____
 Gears: Plastic Metal
 Rear Fluid: _____ Mass: _____
 Gears: Plastic Metal
 Slipper Clutch:
 Setting: _____
 Pads: _____

Shocks:

	Front	Rear
Piston:	_____	_____
Fluid:	_____	_____
Spring:	_____	_____
Limiters:	_____	_____
Stroke:	_____	_____
Eyelet Length:	_____	_____
Cup Offset:	_____	_____
Notes:	_____	



Track Info:

Size: Small Medium Large Extra Large
 Surface: Dirt Carpet AstroTurf Multi Surface
 Traction: Low Medium High Very High
 Moisture: Dry Damp Wet
 Condition: Indoor Outdoor Dusty Hard Packed
 Bumpy Grooved Smooth Loamy
 Temperature: Ambient: _____ Track: _____
 Notes: _____

Tires:

Front Tires: _____
 Front Compound: _____
 Front Insert: _____
 Rear Tires: _____
 Rear Compound: _____
 Rear Insert: _____
 Wheel (F/R): _____
 Notes: _____

Body, Wing, Weight:

Body: _____
 Wing: _____
 Front Wing: Yes No
 Wing Angle: 0° 6°
 Weights: _____
 Total Vehicle Weight: _____

Vehicle Comments:

Notes: _____

TEAM ASSOCIATED

WORLD CHAMPION R/C CARS

Associated Electrics, Inc.

26021 Commercentre Dr. Lake Forest, CA 92630 USA

call: (949) 544-7500 - fax: (949) 544-7501

**Check out the following web sites for all of our kits,
current products, new releases, setup help, tips, and racing info!
www.TeamAssociated.com - www.RC10.com**

FOLLOW US ON SOCIAL MEDIA



**TeamAssociated
ReedyPower**



**@TeamAssociatedRC
@ReedyPower**



**@Team_Associated
@ReedyPower**



AEFactoryTeam